

LUCCI
AIRFUSION PEREGRINE
DC CEILING FAN

- **INSTALLATION**
- **OPERATION**
- **MAINTENANCE**
- **WARRANTY INFORMATION**

CAUTION
READ INSTRUCTIONS CAREFULLY FOR SAFE
INSTALLATION AND FAN OPERATION.

For customer support, please contact:

Tel: +1 (949) 800 8488

Email: support@beaconlighting.us

www.beaconlighting.us.

EN

CONGRATULATIONS ON YOUR PURCHASE

Congratulations on purchasing the latest in energy saving ceiling fans. This fan runs on DC (direct current) power which gives it the benefit of being super energy efficient whilst still maintaining high volume air-movement and silent operation.

Energy Saving - The DC motor is the latest technology in fan design. Its highly efficient motor saves up to 65% more energy than ceiling fans with traditional AC motors.

Silent operation – This DC fan motor is programmed with a stabilised current which efficiently reduces motor noise.

Low operating temperature – The DC power is managed effectively which brings down the motor operating temperature to less than 50°C. This results in a much cooler motor than a standard AC fan and increases the longevity of the motor.

6 speed remote control - Regular AC ceiling fans usually come with only 3 speeds, this DC fan comes complete with a 6 speed remote, which gives greater choice of comfort levels.

SAFETY PRECAUTIONS**Read and Save These Instructions**

This product conforms to UL standard 507 and CSA STD. C22.2 NO.113.

1. **WARNING** -To avoid possible electrical shock, before installing or servicing your fan, disconnect the power by turning off the circuit breaker of the fuse box to the outlet box.
2. **WARNING** - To reduce the risk of fire, electric shock, or personal injury, mount to outlet box marked “acceptable for fan support of 35 lbs (15.9 kg) or more” and use the mounting screws provided with the outlet box and/or support directly from building structure. Most outlet boxes commonly used for the support of luminaires may not be acceptable for fan support and may need to be replaced. Consult a qualified electrician if in doubt.
3. Suitable for use with solid-state speed controls
4. **WARNING** - To reduce the risk of personal injury, do not bend the blade brackets when installing the blade brackets balancing the blades, or cleaning the fan. Do not insert foreign objects in between rotating fan blades.
5. **CAUTIONS** - All wiring must be in accordance with the National Electrical Code (ANSI/NFPA 70) and local electrical codes. If you are unfamiliar with wiring, use a qualified electrician.
6. To reduce the risk of injury to person, the fan must be mounted with a minimum of 7 feet clearance from the bottom edge of the blades to the floor.
7. After marking electrical connections, spliced conductors should be turned upward and pushed carefully up into the outlet box. The wires should be spread apart with the grounded conductor and the equipment-grounding conductor on one side of the outlet box.
8. This equipment has been tested and found to comply with the limits for a Class B digital device, pursuant to part 15 of the FCC rules. These limits are to provide reasonable protection against harmful interference in a residential installation. This equipment generates, uses and can radiate radio frequency energy and if not installed and used in accordance with the instructions may cause harmful interference to radio communications.
9. **CAUTION** - To reduce the risk of electric shock, disconnect the electrical supply circuit to the fan before installing light kit.
10. The light kit weight is 0.165kg.

Airfusion Peregrine Installation Instructions

PARTS LIST

- Unpack your ceiling fan and carefully. Remove all parts and hardware.
- Lay out all the components on a smooth surface and make sure there are no components missing before assembling. If parts are missing, return the complete product to the place of purchase for inspection or replacement.
- Check whether the ceiling fan has been damaged during transport. Do not operate/install any product which appears damaged in any way. Return the complete product to the place of purchase for inspection, repair or replacement.
- Examine and identify the parts. Please refer to **Fig 1**.

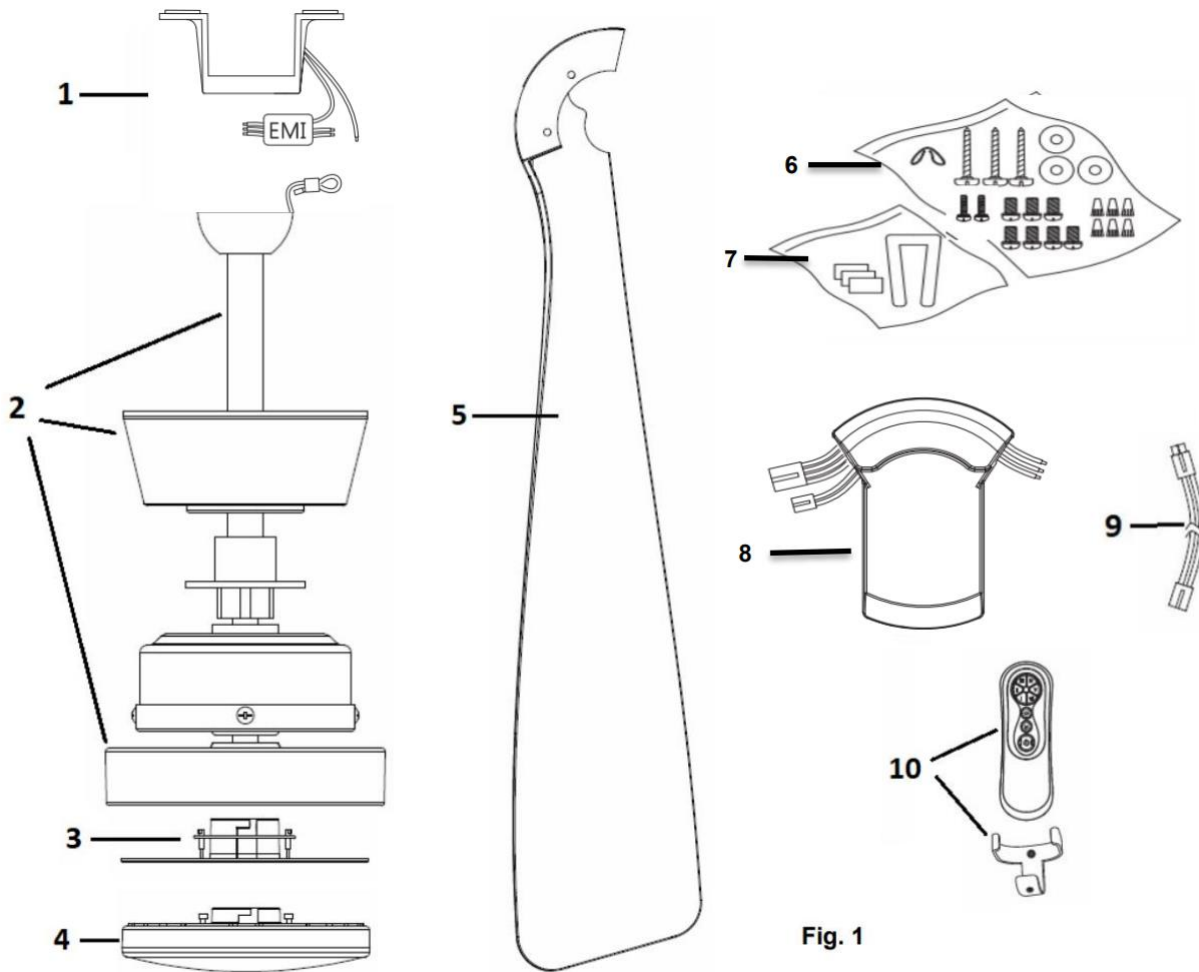


Fig. 1

1.	Mounting bracket x1 set	6.	Mounting screw bag: Wood screw x 3 / Machine screw x 2 / Flat washer x 3 / Blade screws x 7/ wire nut x 6 / securit hook x 1
2.	Fan assembly x1 set	7.	Balance kit x1 set
3.	Bottom cover x1 pcs	8.	Receiver x1
4.	LED lamp x1 pcs	9.	Light kit extension cable x1 (For use with extension down rod)
5.	Blades x3 pcs	10.	Remote controller x1 set

Airfusion Peregrine Installation Instructions

INSTALLING THE MOUNTING BRACKET

If there isn't an existing outlet box, then install one using the following instructions:

- Disconnect the power by removing the fuses or turning off the circuit breakers.
- Secure the outlet box (A) (not included) directly to the building structure. Use appropriate fasteners and materials (not included). The outlet box and its bracing must be able to fully support the weight of the moving fan (at least 35 lbs). Do not use a plastic outlet box.
- Figures 2-4 below show three different ways to mount the outlet box (A) (not included).

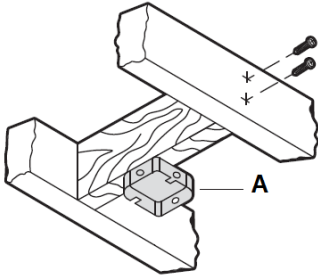


Fig. 2

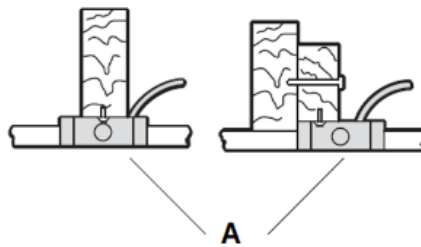


Fig. 3

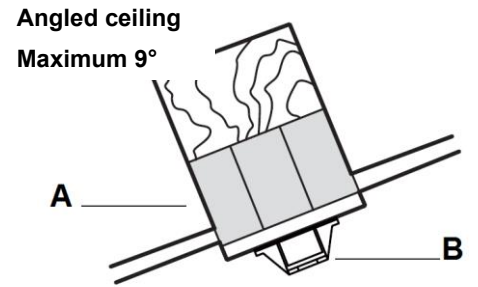


Fig. 4

This fan hanging system supports a maximum 9-degree angled ceiling installation. **Fig. 4**

NOTE: If you are installing the ceiling fan on a sloped ceiling, you may need a longer downrod to maintain proper clearance between the tip of the blade and the ceiling.

NOTE: The ceiling fan must be installed in a location so that the blades are spaced 300mm from the tip of the blade to the nearest objects or walls.

NOTE: For angled ceiling installation, the opening of the mounting bracket (B) must be pointed toward the peak.

To hang your fan where there is an existing fixture but no ceiling joist, you may need an installation hanger bar (C) as shown in **Fig.5**. Make sure the hanger bar you purchase has been designed for use with ceiling fans.

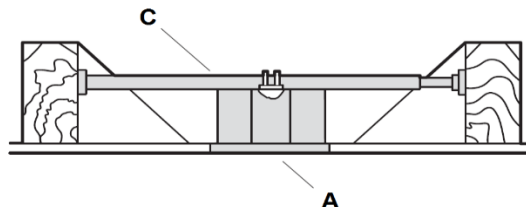


Fig. 5

HANGING THE FAN

Pass the power supply wires (C) from the ceiling outlet box (B) through the center of the ceiling mounting bracket (D). Install the ceiling mounting bracket (D) on the outlet box (B) with the mounting screws (F) provided with the outlet box and washers (E) provided with fan. **Fig. 6**

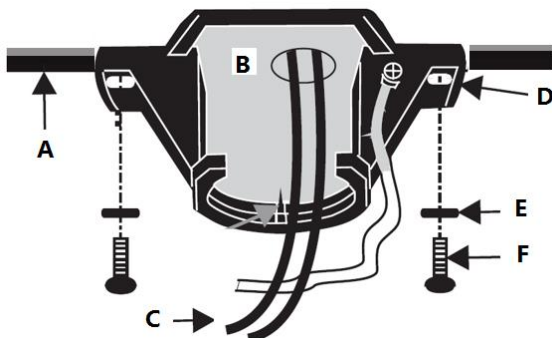


Fig. 6

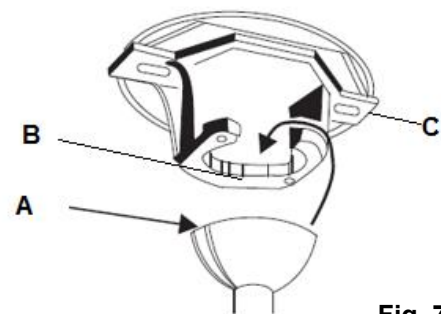


Fig. 7

Lift the fan assembly onto the mounting bracket. Ensure the key slot (A) of the hanger ball is positioned on the key pin (B) of the mounting bracket (C) to prevent the fan from rotating when in operation. **Fig.7**

INSTALLATION OF THE FAN

INSTALLATION OF BLADE (Fig. 8)

1. Install the fan blade to the fan assembly by tightening the 2 screws.
 Ensure all screws are tightened evenly to reduce the chance of warping or unbalancing.
 Take care not to over tighten the screws, as this can damage the blades
2. Repeat the same process for the other blades.

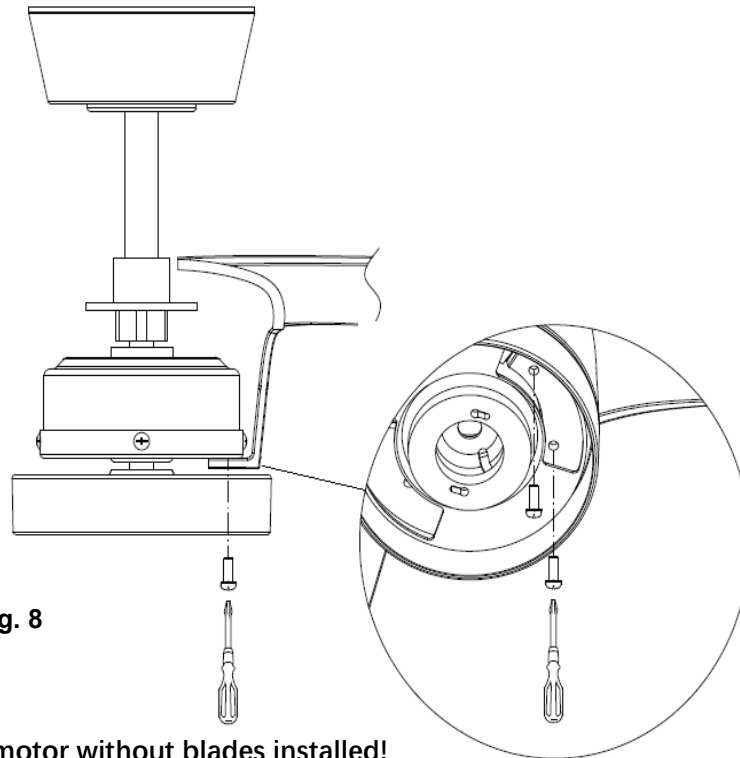


Fig. 8

NOTE: Don't run the motor without blades installed!

INSTALLATION OF Lamp (optional) (Fig. 9)

- Install the lamp on the fan assembly then secure it by turning clockwise.
 Do not exceed the maximum power rating

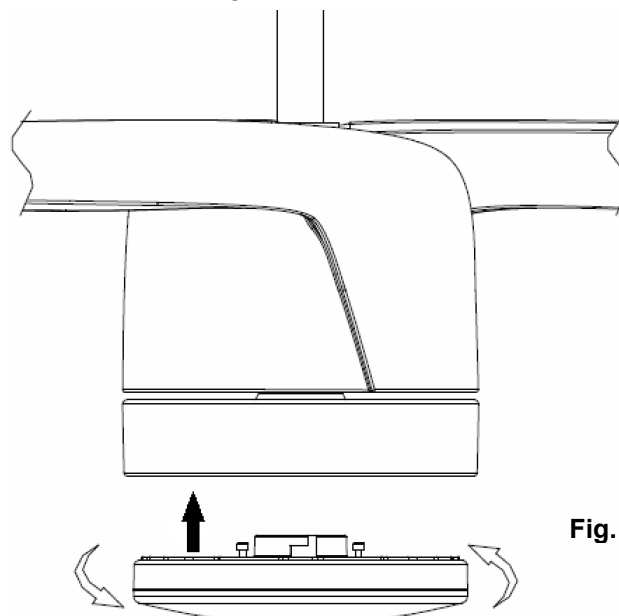


Fig. 9

Airfusion Peregrine Installation Instructions

INSTALLATION OF Bottom cover (Fig. 10)

- If no lamp is required, Install the bottom cover to the fan assembly then secure it by turning clockwise.

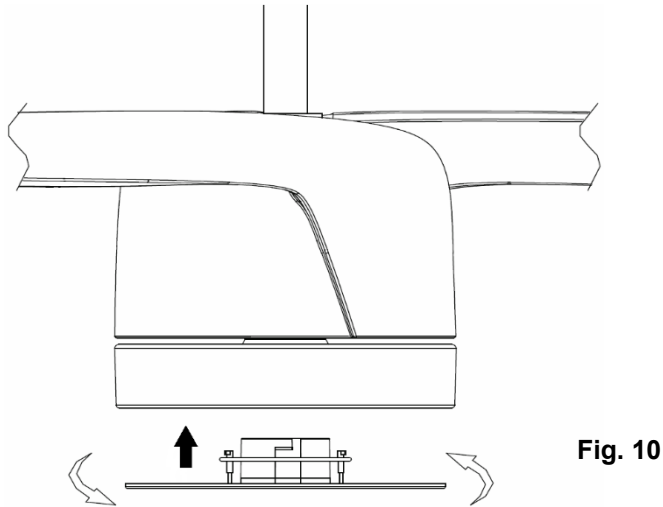


Fig. 10

INSTALLATION OF THE REMOTE CONTROL HOLDER (Fig. 11)

1. Locate a suitable wall to fix the remote control holder with the 2 screws. (Fig. 11a).
2. Slide the remote into the holder to rest the remote. (Fig. 11b)

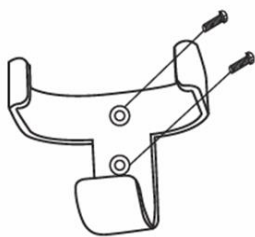


Fig. 11a

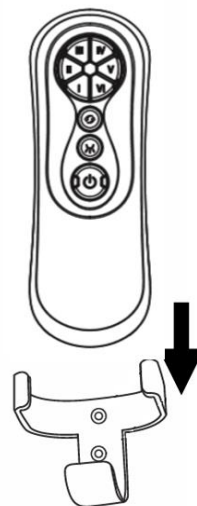


Fig. 11b

- Complete the electrical wiring according to the 'ELECTRICAL WIRING DIAGRAM' section below. (Fig.12)

Noted: The Peregrine fan is a DC technology fan and cannot be used with an AC wall switch. If use wall switch, on/off toggle wall switch – only, Always leave in the “on” position and use remote.

ELECTRICAL WIRING DIAGRAM

WARNING: To avoid possible electrical shock, be sure you have turned off the power at the main circuit panel. Follow the steps below to connect the fan to your household wiring. Use the wire connecting nuts supplied with your fan. Secure the connectors with electrical tape. Make sure there are no loose wire strands or connections.

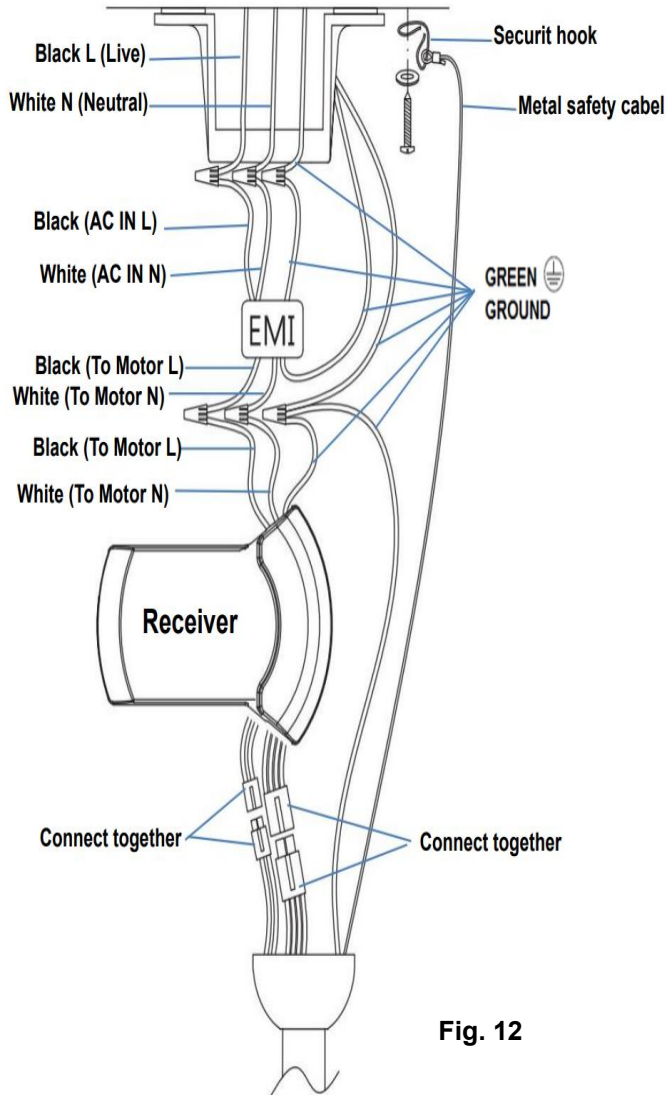


Fig. 12

1. Hang the complete fan assembly onto mounting bracket. **(Fig. 7)**
2. Connect the household live supply wire (black) to EMI filter input wire (black, AC IN L) as shown in **(Fig.12)**
3. Connect the household neutral supply wire (white) to EMI filter input wire (white, AC IN N).
4. Connect the household ground wire to the ground wires (green) from EMI; Connect all ground wires (from fan mounting bracket, downrod, receiver ground wires) together using the twist connector.
5. Connect the EMI filter output wire (black, TO MOTOR L) to Receiver input wire (black, TO MOTOR L).
6. Connect the EMI filter output wire (white, TO MOTOR N) to Receiver input wire (white, TO MOTOR N).
6. Connect the output wires of receiver to the input wires of the fan motor and the light kit by quickly connectors
10. Pull the safety cable onto the securit hook and tight, lock the screw into the ceiling through the hole of mounting bracket.

11. Turn the connecting nuts upward and push the wiring into the outlet box.

12. Carefully insert the Remote Receiver above the hanger ball in the remainder spacing in the mounting bracket. Take care not to damage or loosen any of the wiring. **(Fig. 13)**

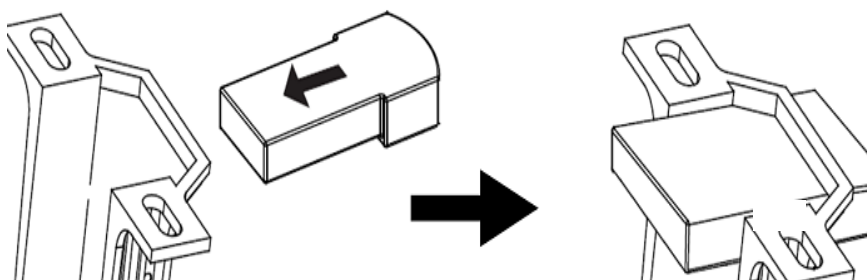


Fig. 13

FINISHING THE INSTALLATION

INSTALLATION OF THE CANOPY (Fig. 14)

- Loosen the 2 screws at the bottom of the mounting bracket.
- Slide the canopy up to the mounting bracket and align the key holes on the canopy with the screws on the mounting bracket. Turn the canopy until it locks into place with the narrow section of the key holes and secure it by tightening the two screws. Avoid damaging the electrical wiring prepared previously.
- Slide the canopy cover ring up to the canopy and click in to cover the canopy cover screws.

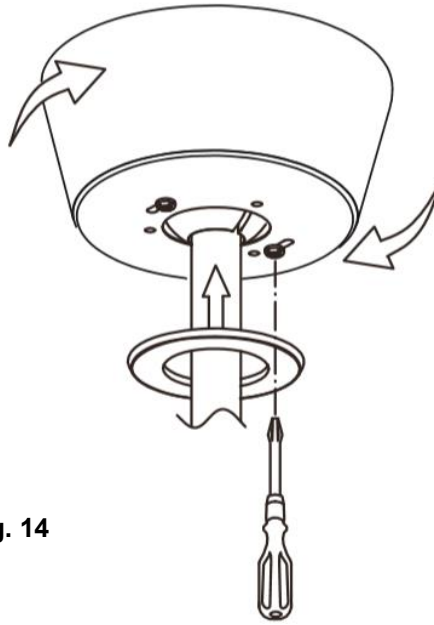


Fig. 14

USING YOUR CEILING FAN

NOTE: The remote and receiver will need to be paired after the installation of the ceiling fan.

NOTE: When two or more ceiling fans are installed in one location, please refer to the instruction on the next page.

BATTERY INSTALLATION (Fig. 15)

BEFORE USING THE REMOTE TRANSMITTER

1 pc 3V CR2032 battery is required to operate the remote control.

1. Battery CR2032 is pre-installed in the remote. For first time use of the remote, remove the battery film before use. (Fig. 15 a)

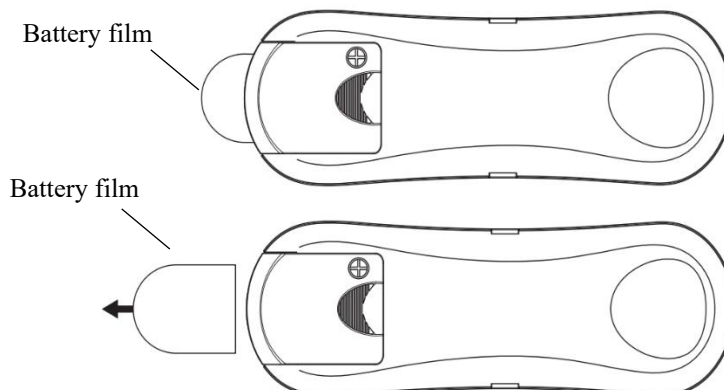


Fig. 15a

Airfusion Peregrine Installation Instructions

BATTERY REPLACEMENT FOR THE REMOTE TRANSMITTER

1. To replace a new battery, Press the top of the battery compartment cover and loosen the screw in the same time further to remove the battery compartment cover (Fig. 15 b).

Note: Screw does not come apart from the battery compartment cover. Do not force the screw and battery compartment cover apart.

2. Slide to remove the battery compartment cover from the back of the remote, to access the battery (Fig. 15b)

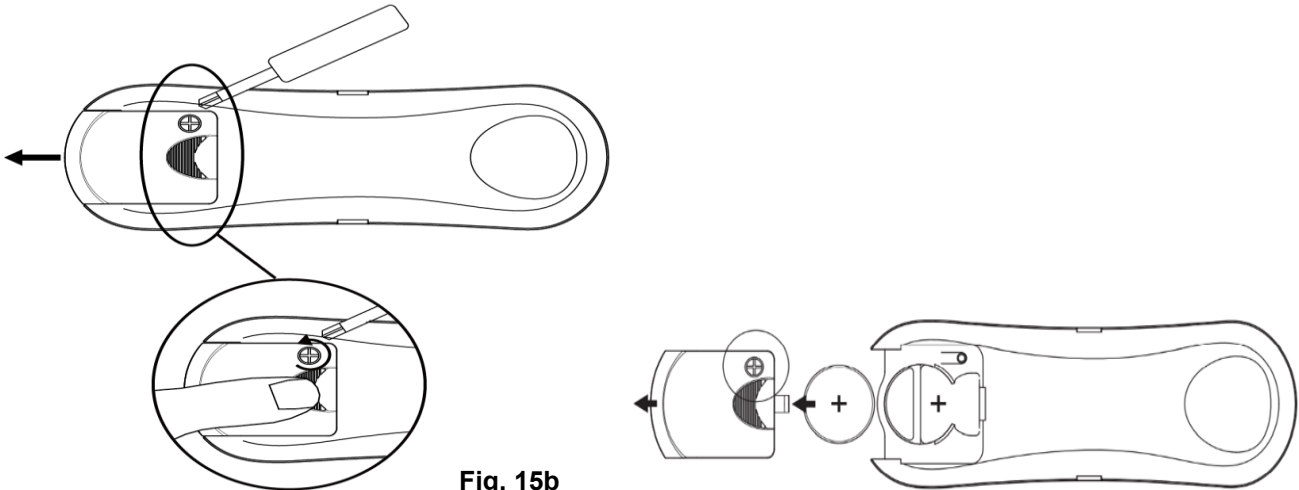


Fig. 15b

3. Install a new 3V CR2032 DC battery in the compartment. Please make sure the polarity of the battery is correct. (Fig. 15c)

Please make sure the polarity of the battery is correct.

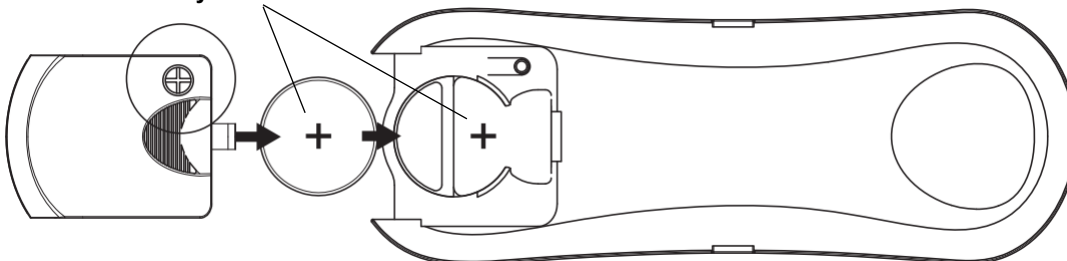


Fig. 15c

4. Install the battery compartment cover back onto the remote and secure by re-tightening the screw.

PAIRING REMOTE & RECEIVER – WHEN 1 DC CEILING FAN IS INSTALLED IN ONE LOCATION


NOTE: Ensure that you have installed a single pole disconnection switch in the fixed wiring for the fan.

NOTE: Ensure power to the receiver is ON prior to pairing the remote with the receiver.

- Turn OFF the mains supply to the fan by on/off wall switch.
5. Install the battery into the remote. Please make sure the polarity of the battery is correct. (Fig. 15c)
 - Turn ON the power to the receiver.
 - Press and hold the “⏻” button on the remote for 3-5 seconds within 30 seconds of switching the power ON to the receiver of the ceiling fan.
If the fan has light kit attached, the light will flash on and off to indicate the pairing process is activated.

Airfusion Peregrine Installation Instructions

- Turn ON the fan and change the speed of the ceiling fan via the remote to check the operation and successful pairing.
- If pairing has been unsuccessful, repeat these set of steps again.

Note: The fan supports control by up to 2 transmitter. To reset the fan to only can be controlled by one transmitter, do the pairing process twice, but press and hold the “” button of transmitter more than 10 seconds.


PAIRING REMOTE & RECEIVER – WHEN 2 OR MORE DC CEILING FANS ARE INSTALLED IN ONE LOCATION

When two or more fans are located near each other, you may want to have the remote/receiver for each fan set to a different code, so that the operation of one fan does not affect the operation of the other fan/s.


NOTE: Ensure that you have installed a single pole disconnection switch in the fixed wiring for each fan.

NOTE: Ensure power to the receiver is ON prior to pairing the remote with the receiver.

Remote / Receiver pairing for Ceiling fan 1:

- Turn OFF the mains supply to the receivers of both ceiling fans 1 and 2.
- Install the 3V DC battery in the compartment. Please make sure the polarity of the battery is correct. (Fig.15)
- Turn on the power to receiver 1. Keep the power OFF to receiver 2. (Each ceiling fan must have its own isolation switch, so that only the ceiling fan that needs to be paired with the remote will be ON).
- Press and hold the “” button of **remote 1** for 3-5 seconds within 30 seconds of switching the power ON to the receiver of ceiling fan 1.
If the fan has light kit attached, the light will flash on and off to indicate the pairing process is activated.
- Turn ON and change the speed of the ceiling fan 1 by the remote to check the operation and successful pairing.
- If pairing has been unsuccessful, repeat these set of steps again.

Remote / Receiver pairing for Ceiling fan 2:

- Turn off the mains supply to the receivers of both ceiling fans 1 and 2.
- Install the 3V DC battery in the compartment. Please make sure the polarity of the battery is correct. (Fig.15)
- Turn on the power to receiver 2. Keep the power OFF to receiver 1. (Each ceiling fan must have its own isolation switch, so that only the ceiling fan that needs to be paired with the remote will be ON).
- Press and hold the “” button of **remote 2** for 3-5 seconds within 30 seconds of switching the power ON to the receiver of ceiling fan 2.
If the fan has light kit attached, the light will flash on and off to indicate the pairing process is activated.
- Turn ON and change the speed of ceiling fan 2 by the remote to check the operation and successful pairing.
- If pairing has been unsuccessful, repeat these set of steps again

Airfusion Peregrine Installation Instructions

Remote Control Buttons (Fig. 16)

1 - FAN SPEED CONTROL BUTTON:

There are 6 available speeds. “I” button is for the lowest speed, and “VI” button is for the fastest speed.

NOTE: when you turn on the fan for the first time or switch the main power to the controller, you need to start the fan on high “VI” speed first and then choose a lower speed. A 5-10 seconds is required to allow the DC fan to respond to the remote each speed or fan direction selections.

2 - FAN OFF BUTTON:

Press the button to turn the fan off.

3 - REVERSE FUNCTION BUTTON:

Press the button to activate the reverse running function. The fan must be operating to activate the reverse function.

4 - LIGHT CONTROL BUTTON:

Press the button to turn the light ON/OFF.

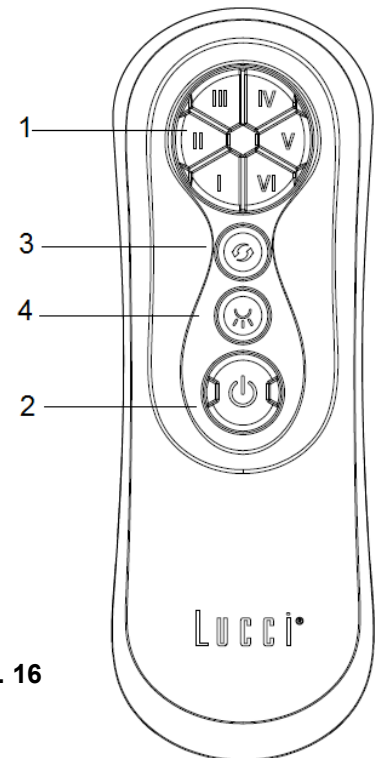


Fig. 16

The LED light has a 3-step dimmable function which is controlled by an ON/OFF switch.

When the LED light is ON and at 100% brightness, press the light button “ON and then OFF within 5 seconds”, to dim the LED light. Repeat pressing ON and then OFF within 5 seconds to dim further in the following sequence: 100% brightness → 50% brightness → 20% brightness → 100% brightness.

To switch back to 100% brightness at any stage, turn OFF the luminaire, and then wait after 5 seconds turn ON the luminaire, it will reset to 100% brightness.


REPAIRING THE REMOTE & RECEIVER PAIRING – WHEN 1 CEILING FAN IS INSTALLED

- If the remote and receiver lose control after installation or during use, the pairing of the remote and the receiver must be repaired.
- Below are the operating symptoms and the steps to repair the pairing of the remote and receiver.

Symptoms:

- Loss of control - Fan is only running at high speed after installation
- Loss of control - No reverse function after installation
- Loss of control - Remote cannot communicate with receiver

Repairing Steps:

- A. Switch OFF the main power to ceiling fan for 30 seconds.
- B. Press and hold the “” button on the **remote** for 3-5 seconds within 30 seconds of switching the power ON to the receiver of the ceiling fan.
- C. Turn ON and change the speed of the ceiling fan via the remote to check the operation and successful pairing.

Airfusion Peregrine Installation Instructions

NOTE : the fan is DC fan , There is some “stutter” for the fan during pairing , or At either rotation direction, the fan would some “stutter” before starting the rotation. this is normal.

THE RECEIVER PROVIDES THE FOLLOWING LEVEL OF PROTECTION:

- Lock position: the receiver has a built in safety feature to protect against obstruction during operation. The motor will be locked from operation and will disconnect from power after 30 seconds of interruption. Please remove obstacles before re-starting. To reset, simply turn off the power supply to the fan motor and re-start.
- Over 80W protection: when the receiver detects power consumption which is greater than 80W, the receiver power will be stopped and operation will immediately discontinue. Turn the receiver power on after 5 seconds to restart the fan.

AFTER INSTALLATION

WOBBLE:

NOTE: ceiling fans tend to move during operation due to the fact that they are mounted on a rubber grommet. If the fan was mounted rigidly to the ceiling it would cause excessive vibration. Movement of a few centimetres is quite acceptable and DOES NOT suggest any problem.

TO REDUCE THE FAN WOBBLE: Please check that all screws which fix the mounting bracket and down rod are secure.

BALANCING KIT: A balancing kit is provided to balance the ceiling fan on initial installation. Please refer to the instruction on how to use the balancing kit. The balancing kit can be used to assist re-balancing should the ceiling fan become un-balanced again. Store your balancing kit away after installation for future use if required.

NOISE:

When it is quiet (especially at night) you may hear occasional small noises. Slight power fluctuations and frequency signals superimposed in the electricity for off-peak hot water control, may cause a change in fan motor noise. This is normal. Please allow a 24-hour “breaking-in” period, most noises associated with a new fan disappear during this time. All electric motors are audible to some extent. Please note that this is not a product fault, and as such is not covered under warranty.

CARE & CLEANING

NOTE: Always turn OFF the power at the mains switch before performing any maintenance or attempting to clean your fan.

- 1) Every 6 months periodic cleaning of your ceiling fan is the only maintenance required. Use a soft brush or lint free cloth to avoid scratching the paint finish. Please turn OFF electricity power when you do so.
- 2) Do not soak or immerse your ceiling fan in water or other liquids. It could damage the motor or the blades and create the possibility of an electrical shock.
- 3) Ensure that the fan does not come in contact with any organic solvents or cleaners.
- 4) To clean the fan blade, wipe with only a damp clean cloth with NO organic solvents or cleaners.
- 5) The motor has a permanently lubricated ball bearing so there is no need to oil.

TECHNICAL INFORMATION										
Fan model	Fan Size	Speed	Volts (V)	Amps (A)	Watts (W)	RPM	CFM	CFM/W	N.W. (lbs)	C.F.
PERE-FAN-US-***	56"	Etra-High	120	0.25	19.66W	161	4410.99	224.36	9.9	2.18
		Low	120	0.05	1.58W	51	1242.59	786.45	9.9	2.18

These are approximate measurements. They do not include data for any lamps or fixtures attached to the ceiling fan.

WARRANTY

1 year warranty covers the entire fan. Please refer to warranty card for the details.



FELICITACIONES CON SU COMPRA

Felicitaciones por comprar lo último en ventiladores ahorradores de energía. Este ventilador funciona con CC (corriente continua) lo que le confiere la ventaja de ser súper eficiente energéticamente, a la vez que mantiene un alto volumen de movimiento de aire y un funcionamiento silencioso.

Ahorro de energía - El motor de CC es la última tecnología en diseño de ventiladores. Su motor de alta eficiencia ahorra hasta un 65% más de energía que los ventiladores de techo con motores de CA tradicionales.

Funcionamiento silencioso - Este motor de ventilador de CC está programado con una corriente estabilizada que reduce eficazmente el ruido del motor.

Baja temperatura de funcionamiento - La potencia de CC se maneja eficazmente, lo que reduce la temperatura de funcionamiento del motor a menos de 50°C. Esto da como resultado un motor mucho más frío que un ventilador de CA estándar y aumenta la longevidad del motor.

Control remoto con 6 velocidades - Los ventiladores de techo normales de CA suelen venir con sólo 3 velocidades, este ventilador de CC viene con un control remoto con 6 velocidades, lo que proporciona una mayor elección de niveles de confort.

MEDIDAS DE SEGURIDAD

Lea y conserve estas instrucciones

Este producto cumple con la norma UL 507 y CSA STD. C22.2 NO.113.

1. **ADVERTENCIA** - Para evitar cualquier posible descarga eléctrica, antes de instalar o reparar su ventilador desconecte la alimentación apagando el disyuntor del circuito de la caja de fusibles a la caja de salida.
2. **ADVERTENCIA:** para reducir el riesgo de incendio, descarga eléctrica o lesiones personales, ensámblelo en la caja de tomacorriente marcada como "apta para soportar un ventilador de 35 lbs (15.9 kg) o más" y use los tornillos de montaje proporcionados con la caja de tomacorriente y/o instálelo directamente en la estructura del edificio. La mayoría de las cajas de salida usadas normalmente para instalar luminarias no son aptas para instalar ventiladores y puede ser necesario reemplazarlas. En caso de duda, consulte con un electricista calificado.
3. Apto para utilizarse con controles de velocidad de estado sólido.
4. **ADVERTENCIA** - Para disminuir el riesgo de que se produzcan lesiones personales, no doble los soportes de las aspas al instalarlos para equilibrar las aspas o al limpiar el ventilador. No inserte objetos extraños entre las aspas giratorias del ventilador.
5. **PRECAUCIONES** - Todo el cableado debe estar conforme con el Código Eléctrico Nacional (ANSI/NFPA 70) y los códigos eléctricos locales. Si no está familiarizado con el cableado, emplee a un electricista calificado.
6. Para disminuir el riesgo de sufrir lesiones personales, el ventilador debe ubicarse a una distancia mínima de 7 pies (2.13 m) entre el borde de la parte inferior de las aspas y el suelo.
7. Después de hacer las conexiones eléctricas, los conductores empalmados se deben voltear hacia arriba y empujar con cuidado al interior de la caja de salida. Los cables deben estar separados con el conductor conectado a tierra y el conductor de descarga a tierra de equipos en un lado de la caja de salida.
8. Este equipo fue probado y se demostró que cumple con los límites de un dispositivo digital de Clase B, según la parte 15 de las reglas de la FCC. Estos límites se establecieron para proporcionar una protección razonable contra la interferencia dañina en una instalación residencial. Este equipo genera, usa y puede radiar energía de frecuencias de radio y, de no instalarse y utilizarse de acuerdo con las

Airfusion Peregrine Installation Instructions

instrucciones, puede causar interferencia dañina con las comunicaciones de radio.

9. PRECAUCIÓN - Para reducir el riesgo de descarga eléctrica, desconecte el circuito de suministro eléctrico del ventilador antes de instalar el juego de luces.
10. El peso del juego de luces es de 0.165 kg.

LISTA DE PIEZAS

- Desempaque su ventilador de techo con cuidado. Saque todas las piezas y los tornillos.
- Deposite todos los componentes sobre una superficie lisa y verifique que no falta ninguno antes de iniciar el armado. Si falta alguna pieza, regrese el producto completo al lugar donde lo adquirió para que lo examinen o reemplacen.
- Compruebe si el ventilador de techo se dañó durante el transporte. No ponga en funcionamiento ni instale ningún producto que presente cualquier tipo de daño. Regrese el producto completo al lugar donde lo adquirió para que lo examinen, reparen o reemplacen.
- Examine e identifique las piezas. Consulte la **Fig. 1**.

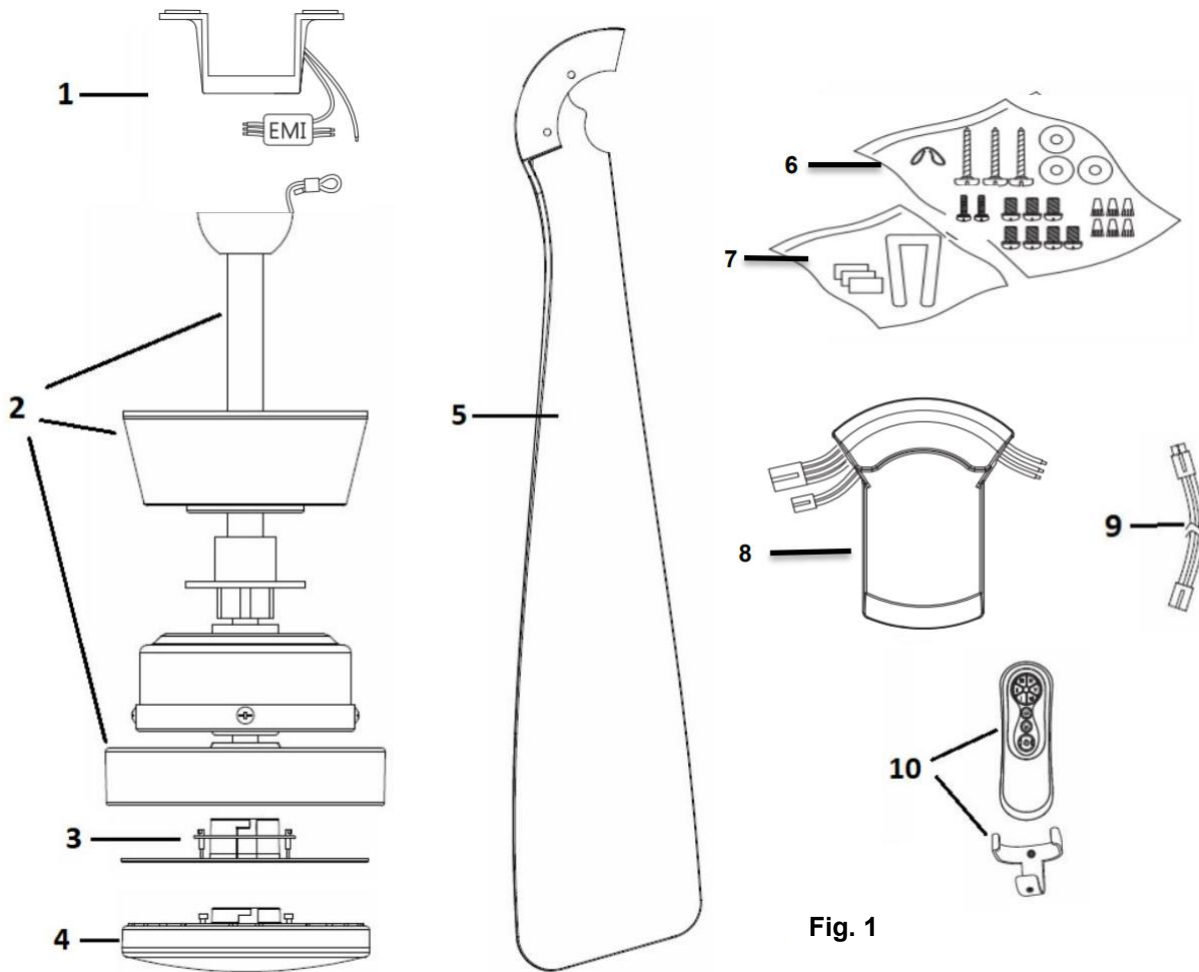


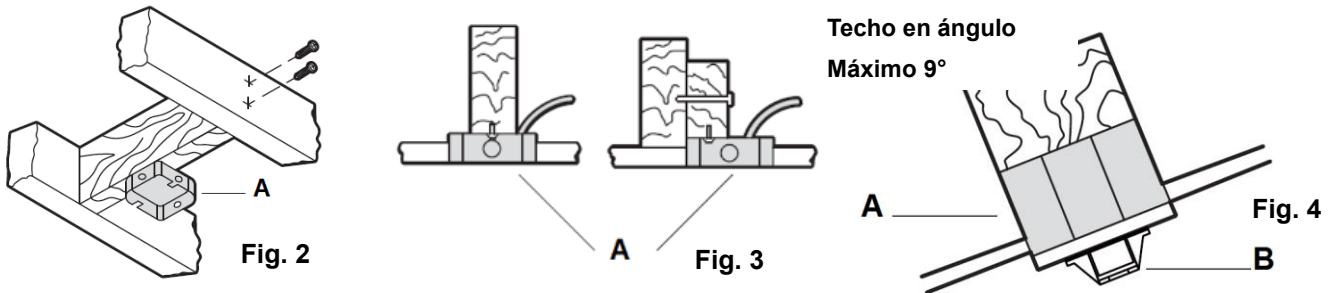
Fig. 1

1.	Soporte de montaje x 1 set	6.	Bolsa de tornillos para el armado: Tornillos para madera x 3 / Tornillos para metales x 2 / Arandela plana x 3 / Tornillo de la cuchilla x 7 / Tuerca para cable x 6 / Gancho de seguridad x 1
2.	Conjunto de ensamblaje del ventilador x 1	7.	Conjunto del kit de balance x 1
3.	Cubierta inferior x 1 pza	8.	Receptor x 1
4.	Lámpara LED x 1 pza	9.	Cable de extensión de luz x 1 (Para usar con una varilla vertical de extensión)
5.	Cuchillas x 3 pzas	10.	Conjunto de controlador remoto x 1

INSTALACIÓN DEL SOPORTE DE ARMADO

Si no hay ya una caja de salida, instale una siguiendo estas instrucciones:

- Desconecte el suministro eléctrico retirando los fusibles o apagando los disyuntores de circuito.
- Fije la caja de salida (A) (no incluida) directamente a la estructura del edificio. Use fijaciones y materiales apropiados (no incluidos). La caja de salida y su soporte deben ser capaces de soportar completamente el peso del ventilador en movimiento (al menos 35 lbs). No use una caja de salida de plástico.
- Las Figuras 2-4 siguientes muestran tres tipos distintos de montaje de la caja de salida (A) (no incluida).



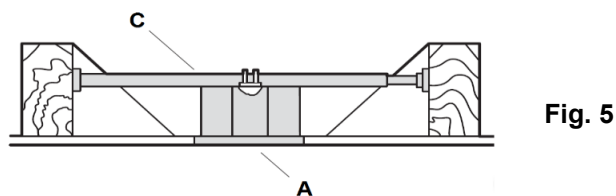
Este sistema colgante del ventilador soporta un ángulo máximo de 9 grados en la instalación de techo. **Fig. 4**

NOTA: Si va a instalar el ventilador en un techo inclinado, es posible que necesite una varilla descendente más larga para mantener el espacio necesario entre la punta del aspa y el techo.

NOTA: El ventilador de techo debe instalarse en un lugar donde las puntas de las aspas queden a una distancia de 300 mm del objeto o pared más cercano.

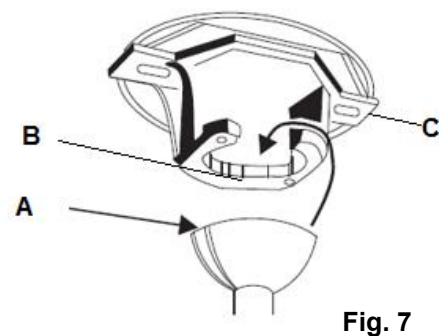
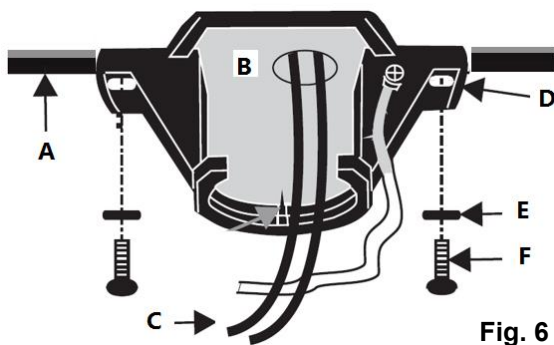
NOTA: Al instalar en techos en ángulo, la abertura del soporte de armado (B) debe apuntar hacia el pico.

Para colgar el ventilador donde ya existe una luminaria pero no hay una viga de techo, es posible que necesite instalar una barra de colgado (C) como se ilustra en la **Fig. 5**. Asegúrese de que la barra de colgado que compra se ha diseñado para utilizarse con ventiladores de techo.



CÓMO COLGAR EL VENTILADOR

Pase los cables de alimentación eléctrica (C) de la caja de salida del techo (B) a través del centro del soporte de armado en el techo (D). Instale el soporte de armado en el techo (D) en la caja de salida (B) con los tornillos de armado (F) suministrados con la caja de salida y las arandelas (E) incluidas con el ventilador. **Fig.6**



Eleve el conjunto del ventilador sobre el soporte de armado. Compruebe que la ranura de la llave (A) de la bola de colgado está ubicada en la clavija de la llave (B) del soporte de armado (C) para evitar que el ventilador gire cuando está en funcionamiento. **Fig.7**

INSTALACIÓN DEL VENTILADOR

INSTALACIÓN DE LA CUCHILLA (Fig. 8)

1. Instale la cuchilla del ventilador al ensamblaje del ventilador ajustando los 2 tornillos.
Asegúrese que todos los tornillos estén ajustados uniformemente para reducir la probabilidad de deformación o desequilibrio.
Cuide de no sobreajustar los tornillos, ya que esto puede dañar las cuchillas.
2. Repita el mismo proceso para las otras cuchillas.

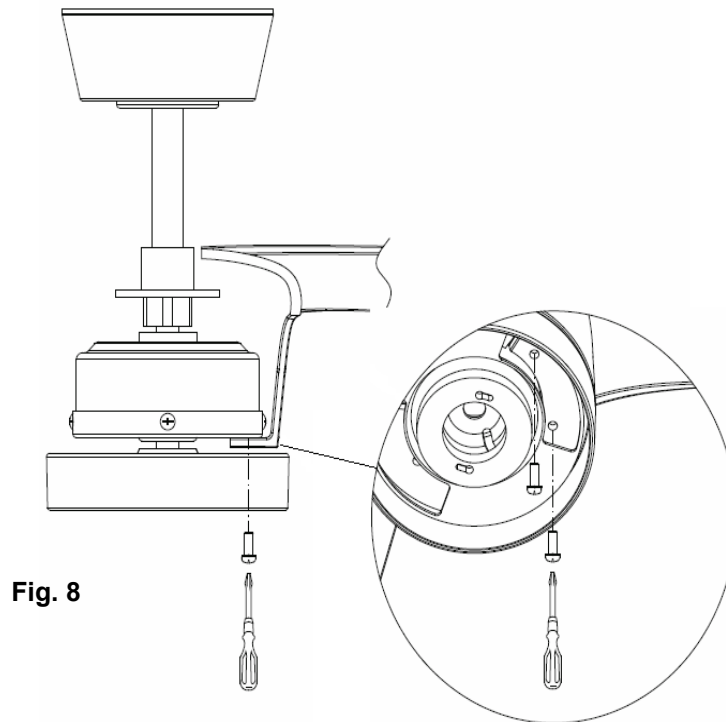


Fig. 8

NOTA: ¡No opere el motor sin las cuchillas instaladas!

INSTALACIÓN DE LA LÁMPARA (opcional) (Fig. 9)

- Instale la lámpara en el ensamblaje del ventilador y luego asegúrela girándola en sentido horario.
No exceda la potencia máxima nominal.

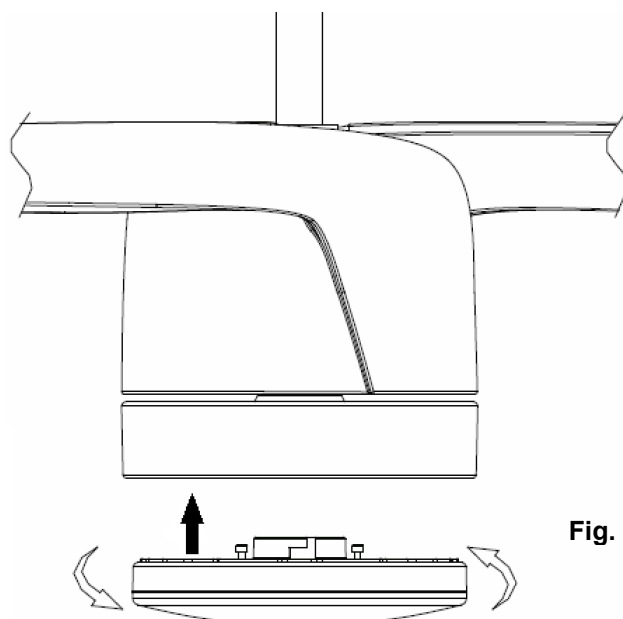


Fig. 9

INSTALACIÓN DE LA CUBIERTA INFERIOR (Fig. 10)

- Si no se requiere ninguna lámpara, instale la cubierta inferior al ensamblaje del ventilador y luego asegúrelo girándolo en sentido horario.

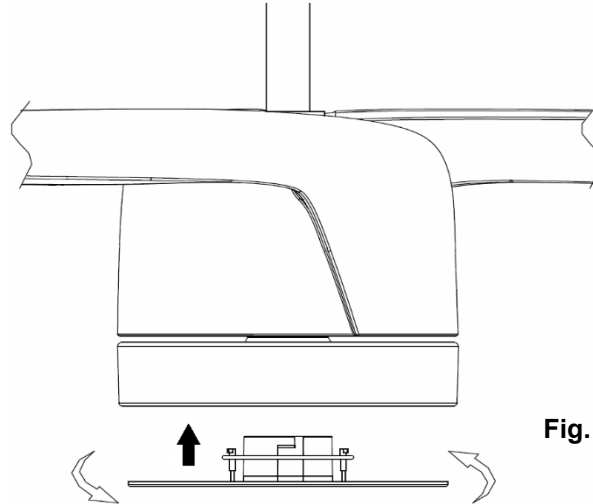


Fig. 10

INSTALACIÓN DEL SUJETADOR DEL CONTROL REMOTO (Fig. 11)

1. Ubique una pared adecuada para fijar el sujetador del control remoto con los 2 tornillos. (Fig.11a).
2. Deslice el control remoto en el sujetador para que allí descansa. (Fig. 11b)

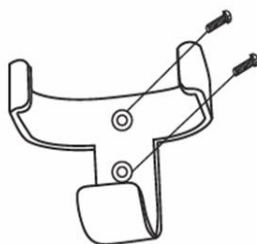


Fig. 11a

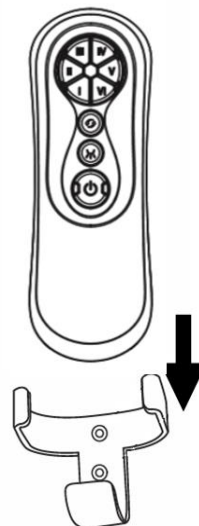


Fig. 11b

- Complete el cableado eléctrico según la sección de “DIAGRAMA DE CABLEADO ELÉCTRICO” a continuación. (Fig.12)

Nota: El ventilador Peregrine es un ventilador con tecnología de CC y no puede utilizarse con un interruptor de pared de CA. Si se utiliza el interruptor de pared, el interruptor de pared de encendido/apagado - sólo, dejar siempre en la posición "on" y utilizar el control remoto.

DIAGRAMA DE CABLEADO ELÉCTRICO

ADVERTENCIA: Para evitar cualquier posible descarga eléctrica, asegúrese de haber desconectado la alimentación eléctrica en el panel de circuito general.

Siga los pasos que aparecen a continuación para conectar el ventilador al cableado de su casa. Use las tuercas de conexión de cable que se suministran con su ventilador. Fije los conectores con cinta eléctrica. Asegúrese de que no haya hilos de cables sueltos o conexiones flojas.

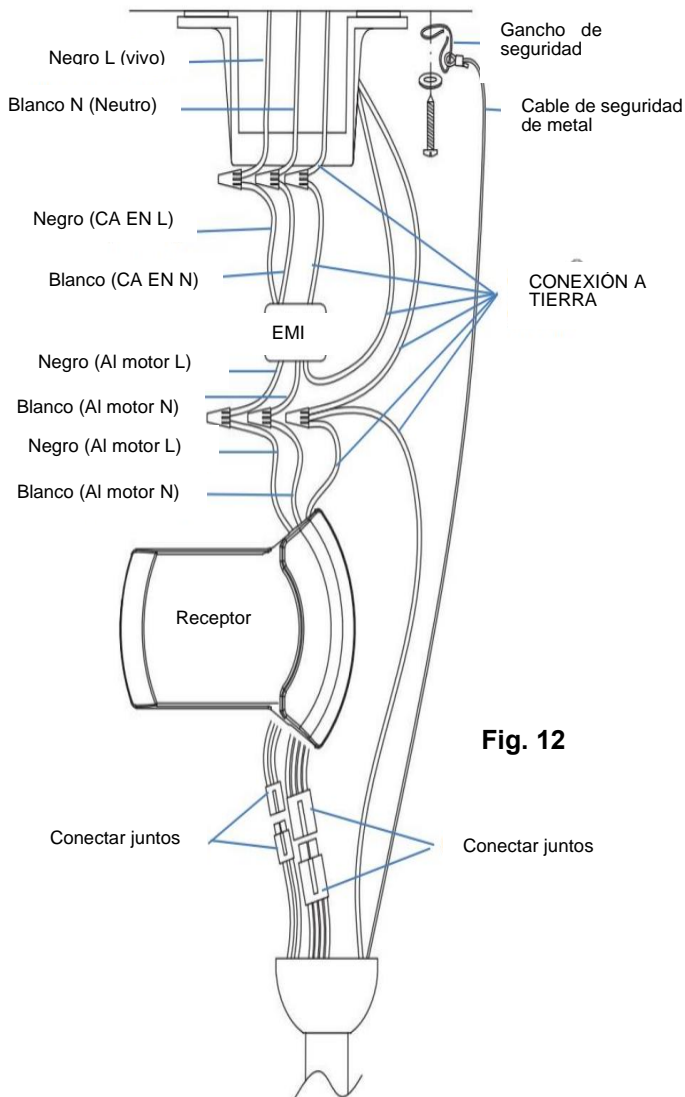


Fig. 12

1. Eleve el ensamblaje del ventilador sobre el soporte de armado. **(Fig. 7)**
2. Conecte el cable vivo de suministro eléctrico del hogar (negro) al cable de entrada del filtro EMI (negro, AC IN L) como se muestra en la (Fig. 12)
3. Conecte el cable neutro del suministro eléctrico del hogar (blanco) al cable de entrada del filtro EMI (blanco, CA EN N).
4. Conecte el cable a tierra del hogar a los cables a tierra del ventilador (verdes) desde el EMI; conecte todos los alambres de tierra (desde la abrazadera de montaje del ventilador, varilla vertical, cables a tierra del receptor) juntos, usando un conector de torsión.
5. Conecte el cable de salida del filtro EMI (negro, AL MOTOR L) al cable de entrada del receptor (negro, AL MOTOR L).
6. Conecte el cable de salida del filtro EMI (blanco, AL MOTOR N) al cable de entrada del receptor (blanco, AL MOTOR N).
7. Conecte los alambres de salida del receptor a los alambres de entrada del motor del ventilador y el kit de luz con conectores rápidos.
8. Tire del cable de seguridad en el tornillo de seguridad y apriete. Fije el tornillo en el techo a través del orificio de la abrazadera de montaje.
9. Gire las tuercas de conexión hacia arriba y presione el cableado hacia el interior de la caja de salida.
10. Inserte el receptor remoto con cuidado sobre la bola de colgado en el espacio sobrante del soporte de armado. Tenga cuidado de no dañar o aflojar ninguno de los cables. **(Fig. 13)**

de colgado en el espacio sobrante del soporte de armado. Tenga cuidado de no dañar o aflojar ninguno de los cables. **(Fig. 13)**

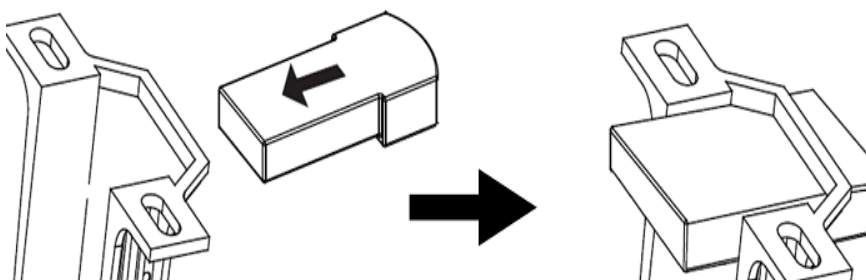


Fig. 13

CÓMO FINALIZAR LA INSTALACIÓN

INSTALACIÓN DEL FLORÓN (Fig. 14)

- Afloje los 2 tornillos en la parte inferior del soporte de montaje.
- Deslice el florón hasta el soporte de montaje y alinee los orificios clave en el florón con los tornillos en el soporte de montaje. Gire el florón hasta que se bloquee en su lugar con la sección angosta de los orificios clave y asegúrelos ajustando los dos tornillos. Evite dañar el cableado eléctrico previamente preparado.
- Deslice el anillo de la cubierta del florón hasta el florón y ajuste para cubrir los tornillos de cubierta del florón.

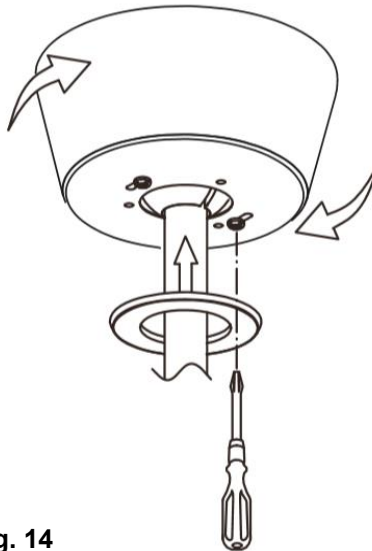


Fig. 14

USO DE SU VENTILADOR DE TECHO

NOTA: El control remoto y el receptor tendrán que emparejarse luego de la instalación del ventilador del techo.

NOTA: Cuando dos o más ventiladores de techo se instalan en un lugar, consulte las instrucciones en la página siguiente.

INSTALACIÓN DE LA BATERÍA (Fig. 15)

ANTES DE USAR EL TRANSMISOR REMOTO

Para operar el control remoto, se requiere una batería CR2032 de 3V.

1. La batería CR2032 viene preinstalada en el control remoto. La primera vez que use el control remoto, retire la película de la batería antes de usar. (Fig. 15 a)

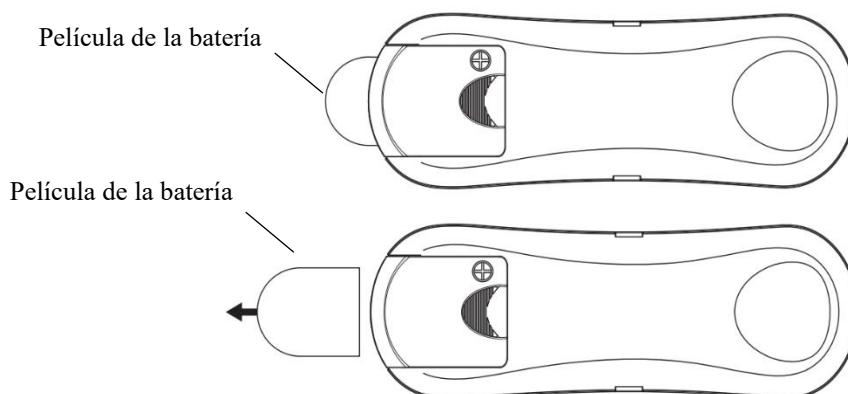


Fig. 15a

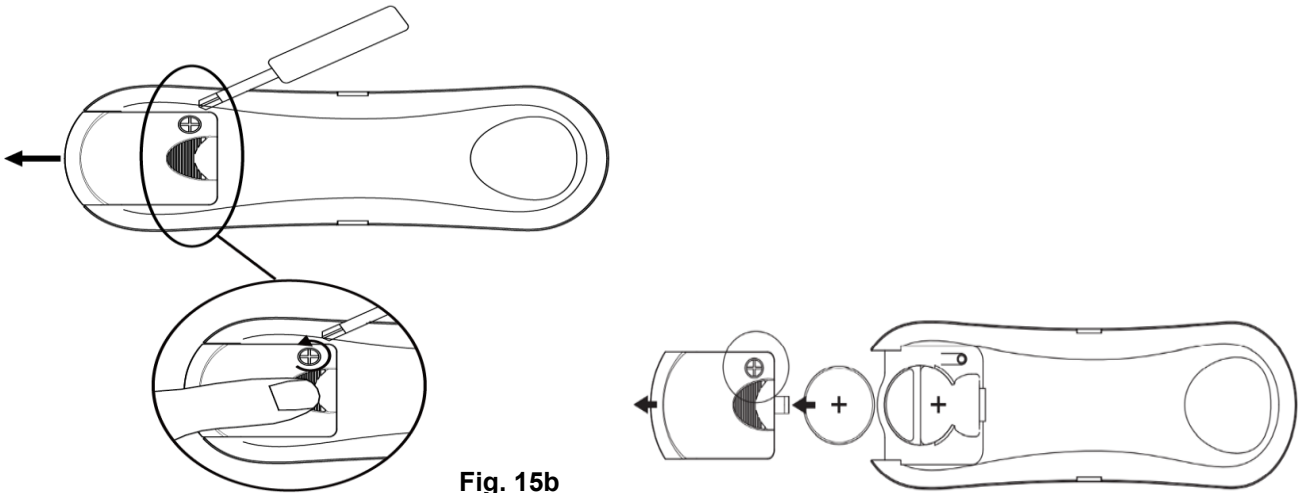
Airfusion Peregrine Installation Instructions

REEMPLAZO DE LA BATERÍA DEL TRANSMISOR REMOTO

1. Para reemplazar una batería nueva, presione la parte superior de la cubierta del compartimiento de la batería y afloje el tornillo al mismo tiempo para retirar la cubierta del compartimiento de la batería (Fig. 15 b).

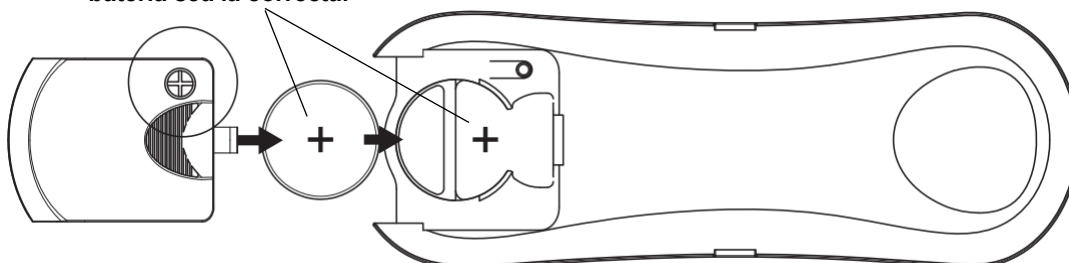
Nota: El tornillo no se sale de la cubierta del compartimiento de la batería. No fuerce el tornillo de la cubierta del compartimiento de la batería para separarlos.

2. Deslice para retirar la cubierta del compartimiento de la batería de la parte posterior del control remoto, para acceder a la batería (Fig. 15b)



3. Instale una nueva batería CR2032 de 3V en el compartimiento. Asegúrese que la polaridad de la batería sea la correcta. (Fig. 15c)

Asegúrese que la polaridad de la batería sea la correcta.




4. Instale la cubierta del compartimiento de la batería de vuelta en el control remoto y asegure reajustando el tornillo.


EMPAREJAMIENTO DEL CONTROL REMOTO Y DEL RECEPTOR - CUANDO 1 VENTILADOR DE TECHO DE CC ESTÁ INSTALADO EN UNA UBICACIÓN

NOTA: Asegúrese que haya instalado un interruptor de desconexión de un solo polo en el cableado fijo para el ventilador.

NOTA: Asegúrese que la corriente en el receptor esté encendida antes de emparejar el control remoto con el receptor.

- Apague el suministro principal al ventilador mediante el interruptor de pared on/off.
5. Instale la batería en el control remoto. Asegúrese que la polaridad de la batería sea la correcta. (Fig. 15c)
- Encienda la corriente que va al receptor.

- Presione y mantenga presionado el botón “” en el control remoto por 3-5 segundos en un plazo de 30 segundos después de conectar (ON) la corriente al receptor del ventilador de techo. Si el ventilador tiene un juego de luces fijado, la luz va a parpadear on y off para indicar que el proceso de emparejamiento se ha activado.
- Encienda (ON) el ventilador y cambie la velocidad del ventilador de techo a través del control remoto para verificar el funcionamiento y el emparejamiento satisfactorio.
- Si el emparejamiento no ha sido exitoso, repita este set de pasos nuevamente.

Nota: El ventilador puede ser controlado mediante 2 transmisores. Para reiniciar el ventilador para que solo pueda controlarlo un transmisor, realice el proceso de emparejamiento dos veces, pero presione el botón “” del transmisor por más de 10 segundos.


EMPAREJAMIENTO DEL CONTROL REMOTO Y DEL RECEPTOR - CUANDO 2 O MÁS VENTILADORES DE TECHO DE CC ESTÁN INSTALADO EN UNA UBICACIÓN

Cuando uno o más ventiladores se encuentran a poca distancia uno del otro, podría ser conveniente tener un código diferente para el control remoto/receptor de cada ventilador, de manera que la operación de un ventilador no afecte la de los otros ventiladores.

NOTA: Asegúrese que haya instalado un interruptor de desconexión de un solo polo en el cableado fijo para cada ventilador.

NOTA: Asegúrese que la corriente en el receptor esté encendida antes de emparejar el control remoto con el receptor.

Emparejamiento del control remoto/receptor para el ventilador de techo 1:

- Apague la alimentación principal a los receptores de las ventiladores de techo 1 y 2.
- Instale la batería de CC de 3V en el compartimiento. Asegúrese que la polaridad de la batería sea la correcta. (Fig.15)
- Encienda la corriente que va al receptor 1. Mantenga la corriente apagada que va al receptor 2. (Cada ventilador de techo debe tener su propio interruptor de aislamiento, para que solo el ventilador de techo tenga que ser emparejado con el control remoto esté encendido).
- Presione y mantenga presionado el botón “” del **control remoto 1** por 3-5 segundos dentro de los 30 segundos después de conectar (ON) la alimentación al receptor del ventilador de techo 1. Si el ventilador tiene un juego de luces fijado, la luz va a parpadear on y off para indicar que el proceso de emparejamiento se ha activado.
- Encienda (ON) y cambie la velocidad del ventilador de techo 1 con el control remoto para verificar el funcionamiento y el emparejamiento satisfactorio.
- Si el emparejamiento no ha sido exitoso, repita este set de pasos nuevamente.

Emparejamiento del control remoto/receptor para el ventilador de techo 2:

- Apague la alimentación principal a los receptores de los ventiladores de techo 1 y 2.
- Instale la batería de CC de 3V en el compartimiento. Asegúrese que la polaridad de la batería sea la correcta. (Fig.15)

Airfusion Peregrine Installation Instructions

- Encienda la corriente que va al receptor 2. Mantenga la corriente en apagado al receptor 1. (Cada ventilador de techo debe tener su propio interruptor de aislamiento, para que solo el ventilador de techo tenga que ser emparejado con el control remoto esté encendido).
- Presione y mantenga presionado el botón "⏻" del **control remoto 2** por 3-5 segundos dentro de los 30 segundos después de conectar (ON) la alimentación al receptor del ventilador de techo 2.
Si el ventilador tiene un juego de luces fijado, la luz va a parpadear on y off para indicar que el proceso de emparejamiento se ha activado.
- Encienda (ON) y cambie la velocidad del ventilador de techo 2 a través del transmisor para verificar el funcionamiento y el emparejamiento satisfactorio.
- Si el emparejamiento no ha sido exitoso, repita este set de pasos nuevamente.

Botones del control remoto (Fig. 16)

1 - BOTÓN DE CONTROL DE VELOCIDAD DEL VENTILADOR:

El ventilador se puede ajustar en 6 velocidades. El botón «I» es para la velocidad más baja y el botón «VI» es para la velocidad más alta.

NOTA: cuando enciende el ventilador por primera vez o conecta la alimentación del controlador, primero debe iniciar el ventilador en la velocidad "VI" alta y luego puede seleccionar una velocidad más baja. Se requiere de 5 a 10 segundos para permitir que el ventilador de CC responda al control remoto para cada selección de velocidad o sentido del ventilador.

2 - BOTÓN DE APAGADO DEL VENTILADOR:

Presione el botón para apagar (OFF) el ventilador.

3 - BOTÓN DE FUNCIÓN EN REVERSA:

Presione el botón para activar el funcionamiento en sentido inverso. El ventilador debe estar funcionando para poder activar el sentido inverso.

4 - BOTÓN DE CONTROL DE LUZ:

Presione el botón para encender o apagar la luz.

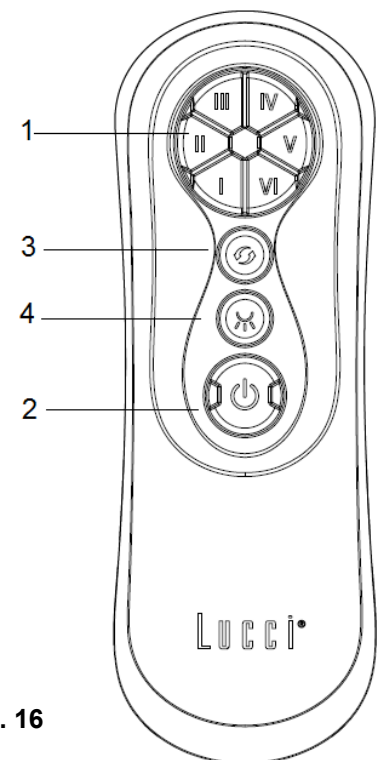


Fig. 16

La luz LED tiene una función de 3 pasos atenuable que se controla con un interruptor de ON/OFF.

Cuando la luz LED está encendida y con un 100% de iluminación, presione el botón de luz "ON y luego OFF dentro de 5 segundos", para atenuar la luz LED. Repita presionando ON y OFF dentro de 5 segundos para atenuar más en la siguiente secuencia: 100% de iluminación → 50% de iluminación → 20% de iluminación → 100% de iluminación.

Para pasar de vuelta al 100% de iluminación en cualquier etapa, apague el foco, y luego espere después de 5 segundos para encender el foco, se reiniciará con un 100% de iluminación.

REPARACIÓN DEL EMPAREJAMIENTO DEL CONTROL REMOTO Y DEL RECEPTOR - CUANDO 1 VENTILADOR DE TECHO ESTÁ INSTALADO

- Si el control remoto y el receptor pierden el control después de la instalación o durante el uso, el emparejamiento del control y el receptor debe ser reparado.


Airfusion Peregrine Installation Instructions

- A continuación se muestran los problemas de funcionamiento y los pasos para reparar el emparejamiento del control remoto y del receptor.

Problemas:

- Pérdida de control - El ventilador sólo funciona a alta velocidad después de la instalación
- Pérdida de control - No hay función de reversa después de la instalación
- Pérdida de control - El control remoto no puede comunicarse con el receptor

Pasos de reparación:

- A. Desconecte (OFF) la alimentación principal del ventilador de techo por 30 segundos.
- B. Presione y mantenga presionado el botón “” en el **control remoto** por 3-5 segundos en un plazo de 30 segundos después de conectar (ON) la corriente al receptor del ventilador de techo.
- C. Encienda (ON) y cambie la velocidad del ventilador de techo con el control remoto para verificar el funcionamiento y el emparejamiento satisfactorio.

NOTA: el ventilador es un ventilador de CC. Hay un poco de "tartamudeo" para el ventilador durante el emparejamiento, o en cualquier dirección de rotación, el ventilador haría un poco de "tartamudeo" antes de iniciar la rotación. Esto es normal.

EL RECEPTOR OFRECE EL SIGUIENTE NIVEL DE PROTECCIÓN:

- Posición de bloqueo: el receptor tiene una función integrada de seguridad para proteger contra una obstrucción durante la operación. El motor estará bloqueado de la operación y se desconectará de la corriente luego de 30 segundos de interrupción. Retire los obstáculos antes de reiniciar. Para reiniciar, simplemente apague el suministro de corriente al motor del ventilador y reinicie.
- Sobre protección de 80W: cuando el receptor detecta un consumo de corriente mayor de 80W, la corriente del receptor se detendrá y la operación se detendrá inmediatamente. Encienda la corriente del receptor luego de 5 segundos para reiniciar el ventilador.

DESPUÉS DE LA INSTALACIÓN

BAMBOLEO:

NOTA: Los ventiladores de techo tienden a moverse cuando están en funcionamiento debido a que están armados sobre una arandela de caucho. Si el ventilador se montó en el techo de forma rígida, esto podría causar una vibración excesiva. Un movimiento de unos centímetros es aceptable y NO indica problema alguno.

CÓMO REDUCIR EL BAMBOLEO DEL VENTILADOR: Verifique que todos los tornillos que fijan el soporte de armado y la varilla descendente están seguros.

KIT DE BALANCE: Se proporciona un kit de balance para equilibrar el ventilador de techo en la instalación inicial. Consulte las instrucciones sobre cómo usar el kit de balance. El kit de balance puede usarse para asistir con el re-balance si el ventilador del techo se vuelve a desequilibrar. Guarde su kit de balance luego de la instalación para uso futuro, si se requiere.

RUIDO:

Cuando hay silencio (especialmente por la noche), es posible escuchar pequeños ruidos de vez en cuando. Las fluctuaciones ligeras de suministro eléctrico y las señales de frecuencia superpuestas en el control de agua caliente fuera de horas pico pueden causar cambios en el ruido del motor del ventilador. Esto es normal. Deje un periodo de ajuste de 24 horas y la mayoría de los ruidos asociados con el nuevo ventilador desaparecerán en dicho período de tiempo. Todos los motores eléctricos producen un cierto ruido. Tenga en cuenta que esto no es un problema del producto y que no está cubierto por la garantía.

CUIDADOS Y LIMPIEZA

NOTA: Apague siempre el ventilador del interruptor principal antes de realizarle cualquier operación de mantenimiento o de limpiarlo.

- 1) El único mantenimiento que necesita el ventilador es una limpieza periódica cada 6 meses. Use un cepillo suave o un paño sin fibras para evitar arañar el acabado de pintura. Desconecte el suministro eléctrico antes de hacerlo.
- 2) No remoje ni sumerja el ventilador en agua ni en otros líquidos. Esto podría dañar el motor o las aspas y causar descargas eléctricas.
- 3) No permita que el ventilador entre en contacto con disolventes orgánicos ni con productos de limpieza.
- 4) Limpie las aspas solo con un paño húmedo y NO utilice disolventes orgánicos ni productos de limpieza.
- 5) El motor posee un rodamiento de bola permanentemente lubricado y no necesita engrasarse.

INFORMACIÓN TÉCNICA

Modelo de ventilador	Dimensiones del ventilador	Velocidad	Voltios (V)	Amperios (A)	Vatios (W)	RPM	CFM	CFM/W	Peso neto (lbs)	C.F.
PERE-FAN-US-***	56	Extra alta	120	0.25	19.66W	161	4410.99	224.36	9.9	2.18
		Baja	120	0.05	1.58W	51	1242.59	786.45	9.9	2.18

Estas medidas son aproximadas. No incluyen datos de lámparas o luminarias fijadas al ventilador de techo.

GARANTÍA

1 año de garantía para todo el ventilador. Consulte la tarjeta de garantía para ver los detalles.

F**NOUS VOUS FÉLICITONS DE VOTRE ACHAT**

Nous vous félicitons d'avoir acheté le dernier ventilateur de plafond à économie d'énergie. Ce ventilateur fonctionne sur une alimentation CC (courant continu), ce qui lui donne l'avantage d'être très économe en énergie tout en maintenant un mouvement d'air important et un fonctionnement silencieux.

Économie d'énergie - Le moteur à courant continu est la dernière technologie en matière de conception de ventilateurs. Son moteur à haut rendement permet d'économiser jusqu'à 65% d'énergie de plus que les ventilateurs de plafond équipés de moteurs à courant alternatif traditionnels.

Fonctionnement silencieux - Ce moteur de ventilateur à courant continu est programmé avec un courant stabilisé qui réduit efficacement le bruit du moteur.

Faible température de fonctionnement - L'alimentation en courant continu est gérée efficacement, ce qui réduit la température de fonctionnement du moteur à moins de 50°C. Il en résulte un moteur beaucoup plus froid qu'un ventilateur CA standard et augmente la longévité du moteur.

Télécommande à 6 vitesses - Les ventilateurs de plafond CA ordinaires sont généralement livrés avec seulement 3 vitesses, ce ventilateur CC est livré avec une télécommande à 6 vitesses, ce qui offre un plus grand choix de niveaux de confort.

PRÉCAUTIONS DE SÉCURITÉ**Lisez et conservez ces instructions**

Ce produit est conforme à la norme UL 507 et à la norme CSA STD. C22.2 NO.113.

1. **AVERTISSEMENT** - Pour éviter tout risque d'électrocution, avant d'installer ou de réparer votre ventilateur, débranchez l'alimentation électrique en désactivant le disjoncteur de la boîte à fusibles de la prise de courant.
2. **AVERTISSEMENT** - Pour réduire les risques d'incendie, de choc électrique ou de blessures, montez-le sur le boîtier de sortie marqué « adapté au support de ventilateur de 35 livres (15,9 kg) ou plus » et utilisez les vis de montage fournies avec le boîtier de sortie et / ou le support directement à partir de la structure du bâtiment. La plupart des boîtes de sortie couramment utilisées pour le support de luminaires peuvent ne pas être adaptées pour le support de ventilateurs et doivent éventuellement être remplacées. Consultez un électricien qualifié en cas de doute.
3. Convient pour une utilisation avec des commandes de vitesse à semi-conducteurs.
4. **AVERTISSEMENT** - Pour réduire les risques de blessures, ne tordez pas les supports de pale lors de l'installation des supports de pale, lors de l'équilibrage des pales ou lors du nettoyage du ventilateur. N'insérez pas d'objets étrangers entre les pales du ventilateur en rotation.
5. **ATTENTION** - Tout le câblage doit être conforme au code électrique national (ANSI / NFPA 70) et aux codes électriques locaux. Si vous ne connaissez pas le câblage, faites appel à un électricien qualifié.
6. Pour réduire les risques de blessures, le ventilateur doit être monté avec un dégagement minimum de 7 pieds du bord inférieur des pales au sol.
7. Après avoir marqué les connexions électriques, les conducteurs épissés doivent être tournés vers le haut et poussés avec précaution dans le boîtier de sortie. Les fils doivent être écartés avec le conducteur mis à la terre et le conducteur de mise à la terre de l'équipement sur un côté du boîtier de sortie.
8. Cet équipement a été testé et déclaré conforme aux limites imposées aux appareils numériques de classe B, conformément à la section 15 des règles de la FCC. Ces limites doivent fournir une protection raisonnable contre les interférences nuisibles dans une installation résidentielle. Cet équipement génère, utilise et peut émettre de l'énergie de fréquence radio. S'il n'est pas installé et utilisé conformément aux instructions, il peut causer des interférences nuisibles aux communications radio.

Airfusion Peregrine Installation Instructions

9. ATTENTION - Pour réduire le risque de choc électrique, débranchez le circuit d'alimentation électrique du ventilateur avant d'installer le kit d'éclairage.
10. Le poids du kit d'éclairage est de 0,165 kg.

LISTE DES PIÈCES

- Déballez votre ventilateur de plafond et identifiez soigneusement les pièces. Retirez toutes les pièces et le matériel.
- Disposez tous les composants sur une surface lisse et assurez-vous qu'aucun composant ne manque avant l'assemblage. S'il manque des pièces, renvoyez le produit complet au lieu d'achat pour le faire inspecter ou remplacer.
- Vérifiez si le ventilateur de plafond a été endommagé pendant le transport. N'utilisez / n'installez aucun produit qui semble endommagé de quelque manière que ce soit. Renvoyez le produit complet au lieu d'achat pour le faire inspecter, réparer ou remplacer.
- Examinez et identifiez les pièces. Veuillez vous référer au **schéma 1**.

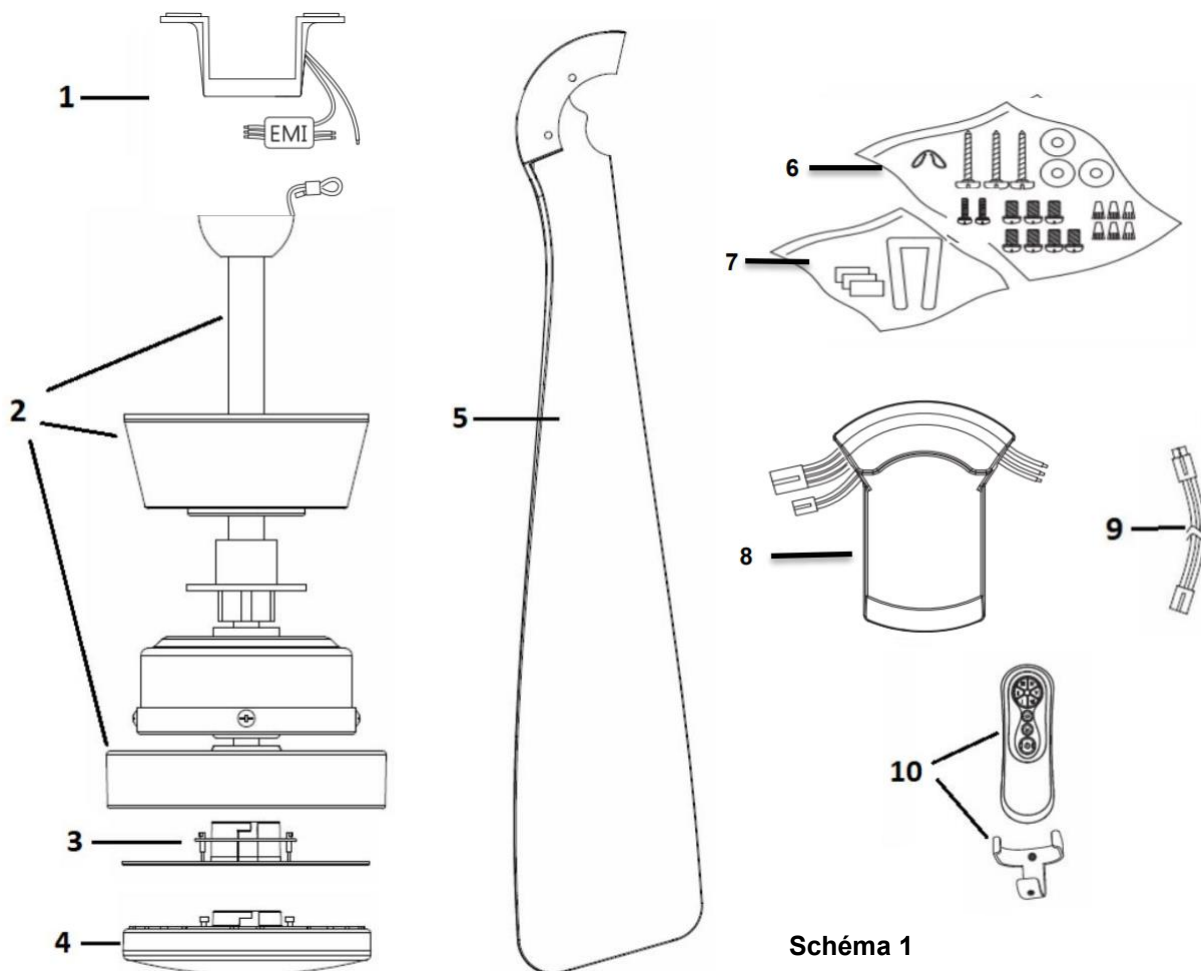


Schéma 1

1.	Support de montage x 1	6.	Sachet de vis de montage : Vis à bois x 3 / Vis à métaux x 2 / Rondelle plate x 3 / Vis à pale x 7 / Écrou de fil x 6 / Crochet de sécurité x 1
2.	Assemblage du ventilateur x 1	7.	Kit d'équilibrage x 1 set
3.	Cache inférieur x 1	8.	Récepteur x 1
4.	Lampe LED x 1	9.	Câble d'extension du kit d'éclairage x 1 (À utiliser avec la tige d'extension inférieure)
5.	Pales x 3	10.	Télécommande x 1

INSTALLATION DU SUPPORT DE MONTAGE

S'il n'y a pas de boîtier de sortie existant, installez-en un en suivant les instructions suivantes :

- Déconnectez l'alimentation en retirant les fusibles ou en désactivant les disjoncteurs.
- Fixez le boîtier de sortie (A) (non inclus) directement à la structure du bâtiment. Utilisez les fixations et le matériel appropriés (non inclus). Le boîtier de sortie et son support doivent être en mesure de supporter pleinement le poids du ventilateur en mouvement (au moins 35 livres). N'utilisez pas de boîtier de sortie en plastique.
- Les schémas 2 et 4 ci-dessous illustrent trois manières différentes de monter le boîtier de sortie (A) (non fourni).

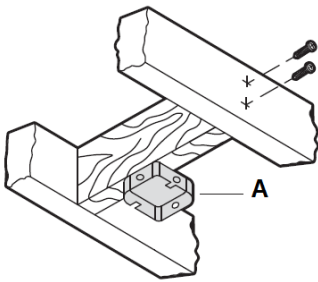


Schéma 2

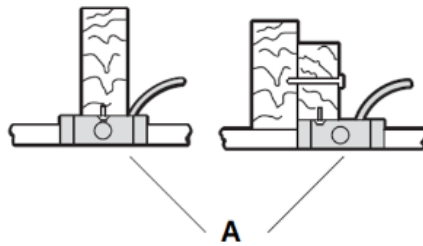


Schéma 3

Plafond incliné
Maximum 9°

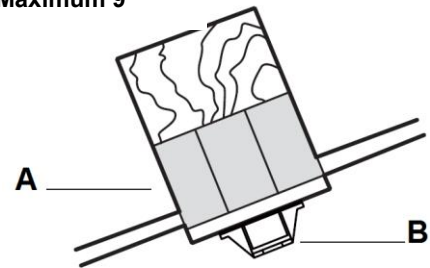


Schéma 4

Ce système de suspension de ventilateur supporte une installation sur un plafond incliné de 9 degrés au maximum. **Schéma 4**

REMARQUE : Si vous installez le ventilateur de plafond sur un plafond incliné, vous aurez peut-être besoin d'une tige de suspension plus longue pour conserver un jeu suffisant entre la pointe de la pale et le plafond.

REMARQUE : Le ventilateur de plafond doit être installé dans un endroit tel que les pales soient espacées de 300 mm de la pointe de la pale jusqu'aux objets ou aux murs les plus proches.

REMARQUE : Pour une installation sur un plafond incliné, l'ouverture du support de montage (B) doit être dirigée vers le sommet.

Pour suspendre votre ventilateur là où il y a un luminaire existant mais pas de solive de plafond, vous aurez peut-être besoin d'une barre de suspension d'installation (C), comme illustré sur le **schéma 5**. Assurez-vous que la barre de suspension que vous avez achetée a été conçue pour être utilisée avec un ventilateur de plafond.

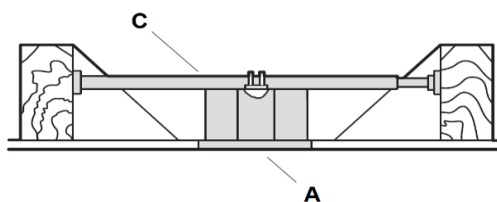


Schéma 5

SUSPENSION DU VENTILATEUR

Faites passer les fils d'alimentation (C) du boîtier de sortie du plafond (B) par le centre du support de montage au plafond (D). Installez le support de montage au plafond (D) sur le boîtier de sortie (B) à l'aide des vis de montage (F) fournies avec le boîtier de sortie, et les rondelles (E) fournies avec le ventilateur. **Schéma 6**

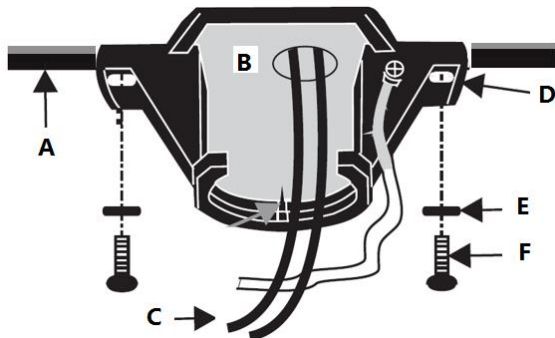


Schéma 6

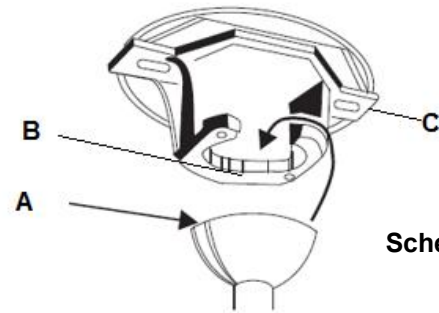


Schéma 7

Soulevez le ventilateur sur le support de montage. Assurez-vous que la fente d'enclenchement (A) de la boule de suspension est positionnée sur la butée (B) du support de montage (C) afin d'empêcher le ventilateur de tourner en cours de fonctionnement. **Schéma 7**

INSTALLATION DU VENTILATEUR

INSTALLATION DES PALES (Schéma 8)

1. Installez la pale du ventilateur sur l'assemblage du ventilateur en serrant les 2 vis.
Assurez-vous que toutes les vis sont serrées uniformément pour réduire les risques de déformation ou de déséquilibre.
Veillez à ne pas trop serrer les vis, car cela pourrait endommager les pales.
2. Répétez le même processus pour les autres pales.

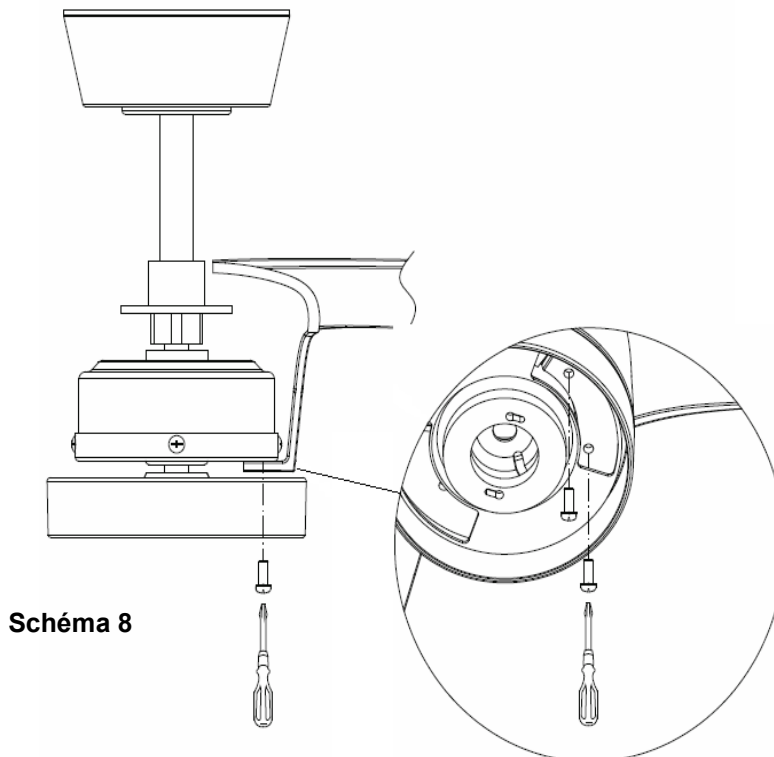


Schéma 8

REMARQUE : Ne faites pas tourner le moteur sans les pales installées !

INSTALLATION DE LA LAMPE (optionnel) (Schéma 9)

- Installez la lampe sur l'assemblage du ventilateur puis fixez-la en la tournant dans le sens des aiguilles d'une montre.
Ne dépassez pas la puissance nominale maximale.

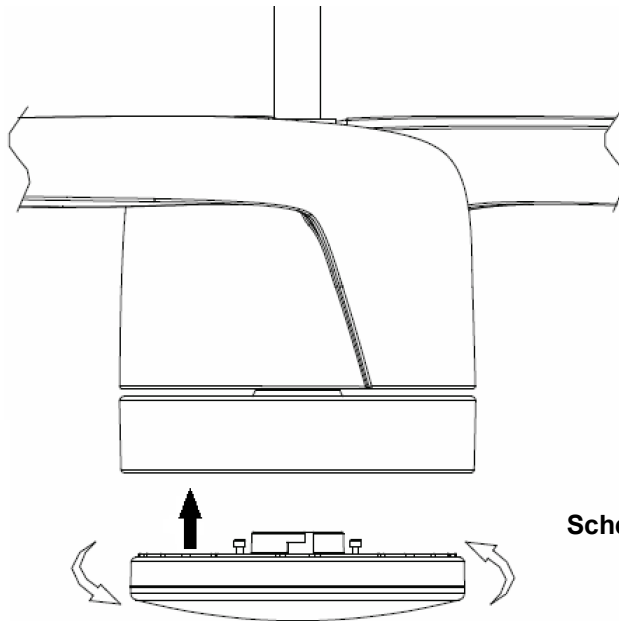


Schéma 9

INSTALLATION DU CACHE INFÉRIEUR (Schéma 10)

- Si vous n'attachez pas de lampe, installez le cache inférieur sur l'assemblage du ventilateur, puis fixez-le en le tournant dans le sens des aiguilles d'une montre.

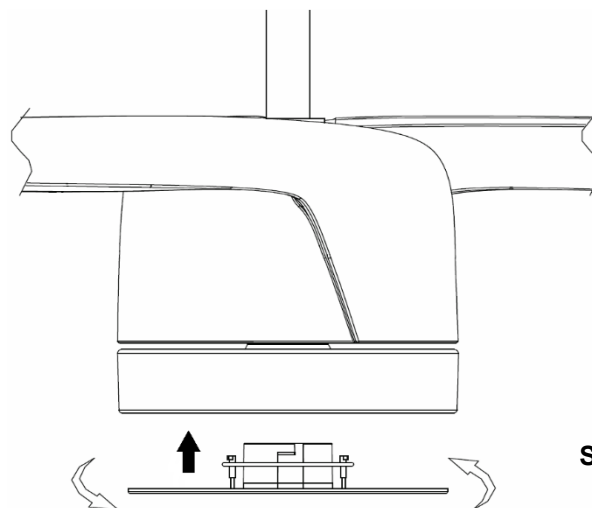


Schéma 10

INSTALLATION DU SUPPORT DE TÉLÉCOMMANDE (Schéma 11)

1. Localisez un mur approprié pour fixer le support mural de la télécommande avec les 2 vis. (Schéma 11a)
2. Faites glisser la télécommande dans le support pour la ranger. (Schéma 11b)

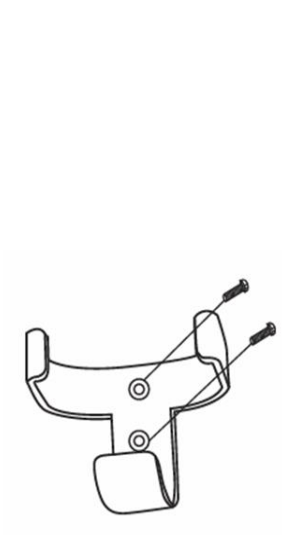


Schéma 11a

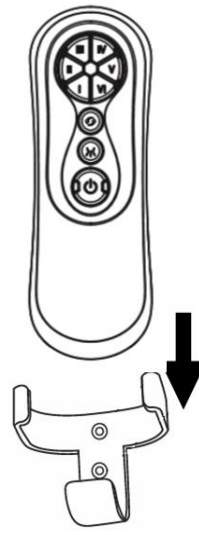


Schéma 11b

- Complétez le câblage électrique conformément à la section « SCHÉMA DE CÂBLAGE ÉLECTRIQUE » ci-dessous. (Schéma 12)

Remarque : Le ventilateur Peregrine est un ventilateur à technologie CC et ne peut pas être utilisé avec un interrupteur mural CA. En cas d'utilisation d'un interrupteur mural, utilisez un interrupteur mural à bascule marche/arrêt uniquement, laissez-le toujours en position de marche et utilisez la télécommande.

SCHÉMA DE CÂBLAGE ÉLECTRIQUE

AVERTISSEMENT : Pour éviter tout risque d'électrocution, assurez-vous d'avoir coupé l'alimentation au niveau du panneau de circuit principal.

Suivez les étapes ci-dessous pour connecter le ventilateur au câblage de votre domicile. Utilisez les écrous de connexion des fils fournis avec votre ventilateur. Fixez les connecteurs avec du ruban isolant. Assurez-vous qu'il n'y a pas de brins de fils ou de connexions desserrés.

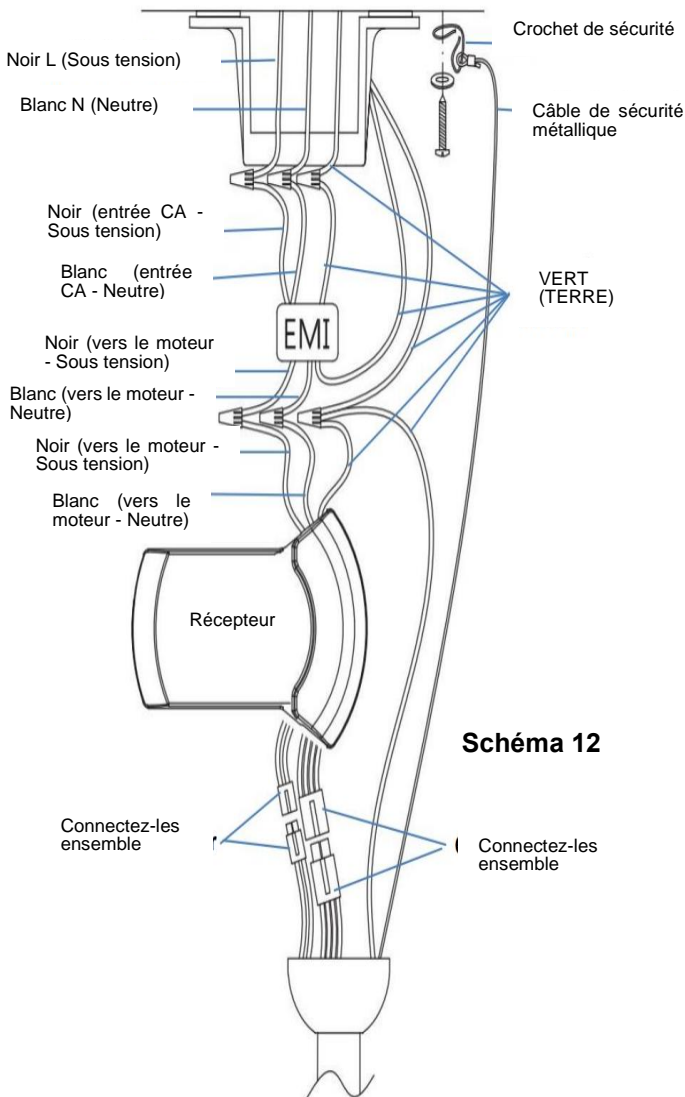


Schéma 12

1. Accrochez l'ensemble du ventilateur sur le support de montage. **(Schéma 7)**
2. Connectez le fil d'alimentation domestique sous tension (noir) au fil d'entrée du filtre EMI (noir, entrée CA sous tension), comme illustré sur le **schéma 12**.
3. Connectez le fil d'alimentation domestique neutre (blanc) au fil d'entrée du filtre EMI (blanc, entrée CA - Neutre).
4. Connectez le fil de terre domestique aux fils de terre (verts) de l'EMI ; Connectez tous les fils de terre (du support de montage du ventilateur, de la tige de suspension inférieure, des fils de terre du récepteur) ensemble en utilisant le connecteur torsadé.
5. Connectez le fil de sortie du filtre EMI (noir, VERS LE MOTEUR SOUS TENSION) au fil d'alimentation sous tension du moteur (noir, VERS LE MOTEUR SOUS TENSION).
6. Connectez le fil de sortie du filtre EMI (blanc, VERS LE MOTEUR NEUTRE) au fil d'entrée neutre du moteur (blanc, VERS LE MOTEUR NEUTRE).
7. Connectez les fils de sortie du récepteur aux fils d'entrée du moteur du ventilateur et du kit d'éclairage à l'aide de connecteurs rapides.
8. Tirez le câble de sécurité sur le crochet de sécurité et serrez-le, verrouillez le câble dans le plafond à travers le trou du support de montage.
9. Tournez les écrous de connexion vers le haut et poussez le câblage dans le boîtier de sortie.

10. Insérez soigneusement le récepteur à distance au-dessus de la boule de suspension dans l'espace restant dans le support de montage. Veillez à ne pas endommager ni desserrer le câblage. **(Schéma 13)**

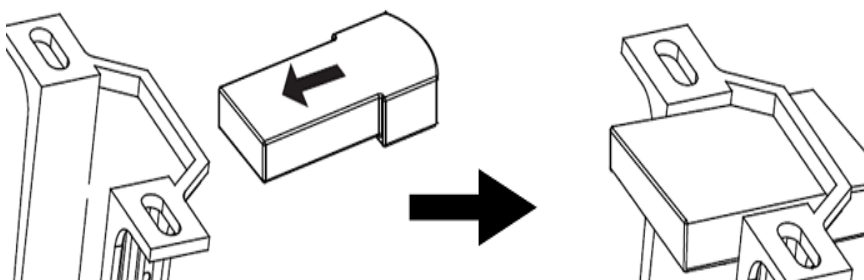


Schéma 13

FINITION DE L'INSTALLATION
INSTALLATION DU CACHE (schéma 14)

- Desserrez les 2 vis du bas du support de montage.
- Faites glisser le cache jusqu'au support de montage et alignez les trous de clavette du cache avec les vis du support de montage. Tournez le cache jusqu'à ce qu'il se verrouille en place avec la section étroite des trous de clavette et fixez-le en serrant les deux vis. Évitez d'endommager le câblage électrique préalablement préparé.
- Faites glisser l'anneau de recouvrement du cache jusqu'au cache et cliquez dessus pour recouvrir les vis du cache.

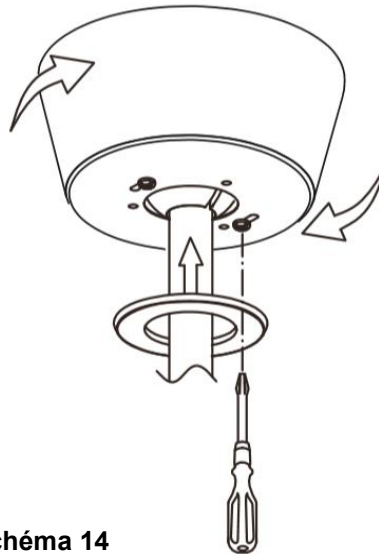


Schéma 14

UTILISATION DE VOTRE VENTILATEUR DE PLAFOND

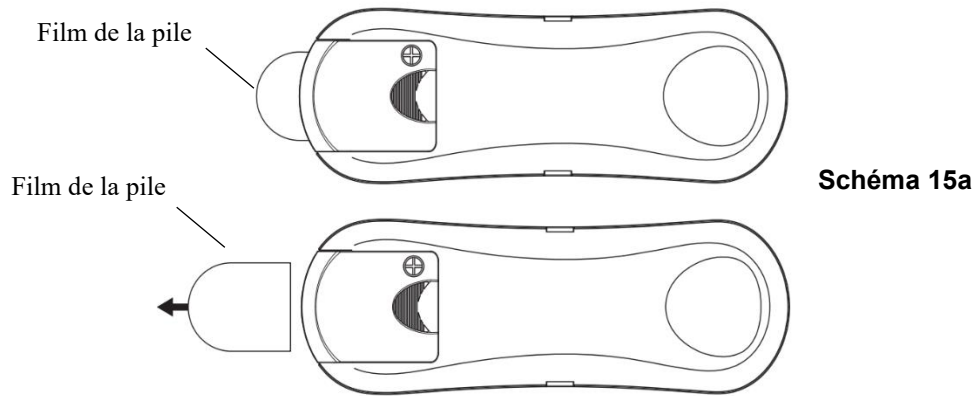
REMARQUE : La télécommande et le récepteur devront être appariés après l'installation du ventilateur de plafond.

REMARQUE : Lorsque deux ventilateurs de plafond ou plus sont installés dans un endroit, veuillez vous référer aux instructions de la page suivante.

INSTALLATION DES PILES (schéma 15)
AVANT D'UTILISER LA TÉLÉCOMMANDE

1 pile de type 3V CR2032 est nécessaire pour utiliser la télécommande.

1. Une pile de type CR2032 est pré-installée dans la télécommande. Pour la première utilisation de la télécommande, retirez le film de la pile avant de l'utiliser. (Schéma 15a)

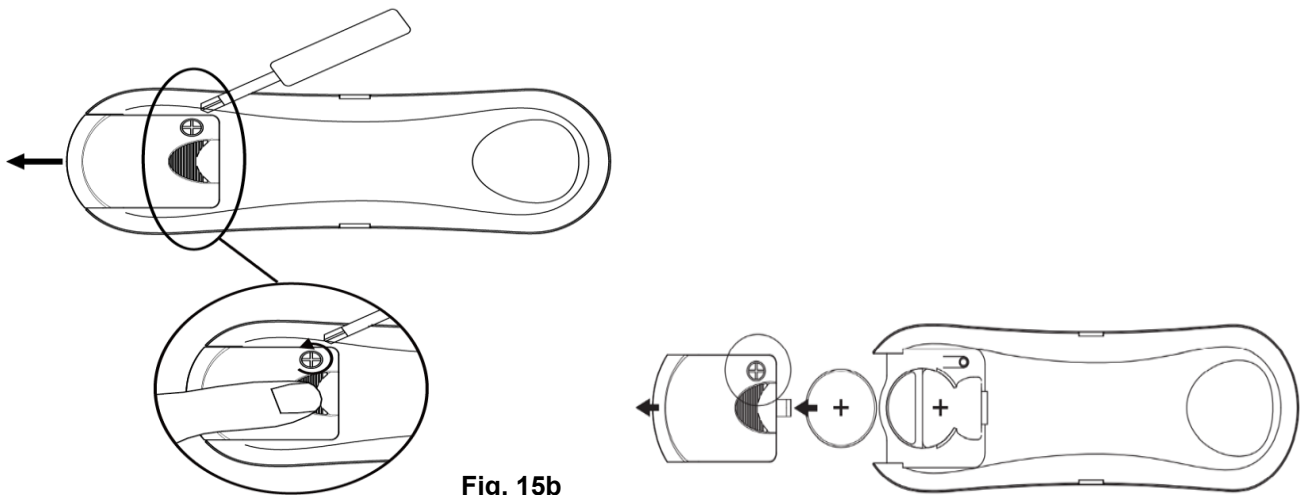


REPLACEMENT DE LA PILE DE LA TÉLÉCOMMANDE

1. Pour retirer la pile usée, appuyez sur le haut du couvercle du compartiment des piles et desserrez la vis en même temps pour retirer le couvercle du compartiment des piles (schéma 15 b).

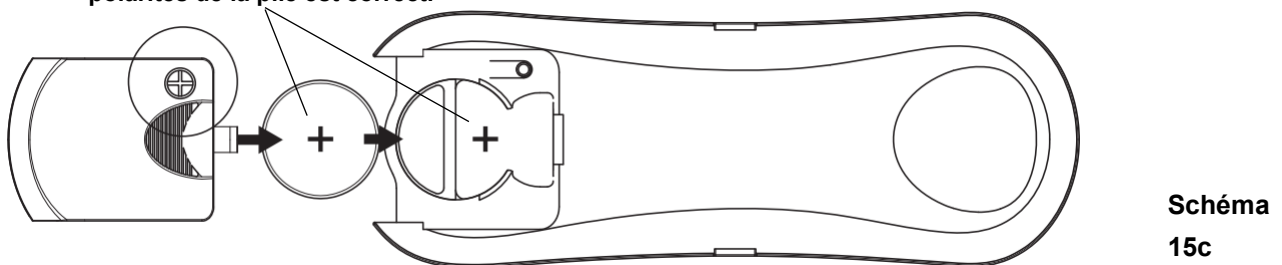
Remarque : La vis ne se détache pas du couvercle du compartiment des piles. Ne forcez pas sur la vis et le couvercle du compartiment de la pile pour les séparer.

2. Faites glisser le couvercle du compartiment de la pile à l'arrière de la télécommande, afin d'accéder à la pile (schéma 15b).



3. Insérez la pile de type 3V CR2032 CC dans le compartiment. Veuillez vous assurer que le sens des polarités de la pile est correct. (schéma 15c)

Veuillez vous assurer que le sens des polarités de la pile est correct.




4. Remettez le couvercle du compartiment de la pile sur la télécommande et fixez-le en resserrant la vis.

Appariement de la télécommande et du récepteur - lorsque 1 ventilateur de plafond CC est installé

REMARQUE : Assurez-vous que vous avez installé un interrupteur de déconnexion unipolaire dans le câblage fixe du ventilateur.

REMARQUE : Assurez-vous que le récepteur est sous tension avant d'apparier la télécommande avec le récepteur.

- Coupez l'alimentation secteur du ventilateur à l'aide de l'interrupteur mural marche/arrêt.
- 5. Installez la pile dans la télécommande. Veuillez vous assurer que le sens des polarités de la pile est correct. (Schéma 15c)
- Mettez le récepteur 2 en marche.
- Appuyez sur le bouton «  » de la télécommande et maintenez-le enfoncé pendant 3 à 5 secondes dans les 30 secondes suivant la mise sous tension du récepteur du ventilateur de plafond.
Si le ventilateur est équipé d'un kit d'éclairage, la lumière s'allume et s'éteint pour indiquer que le processus d'appariement est activé.
- Mettez le ventilateur de plafond en marche et changez la vitesse avec la télécommande pour vérifier le fonctionnement et si l'appariement a réussi.
- Si l'appariement n'a pas réussi, répétez à nouveau cette série d'étapes.

Remarque : Le ventilateur peut être contrôlé par 2 télécommandes. Pour réinitialiser le ventilateur pour qu'il ne puisse être contrôlé que par une seule télécommande, effectuez le processus d'appariement deux fois,

mais maintenez enfoncé le bouton «  » de la télécommande plus de 10 secondes.


Appariement de la télécommande et du récepteur - lorsque 2 ventilateurs de plafond CC ou plus sont installés au même endroit

Lorsque deux ventilateurs ou plus sont situés proches l'un de l'autre, vous pouvez souhaiter que le récepteur et la télécommande de chaque ventilateur soit réglé sur un code différent, de sorte que le fonctionnement d'un ventilateur n'affecte pas le fonctionnement des autres ventilateurs.

REMARQUE : Assurez-vous que vous avez installé un interrupteur de déconnexion unipolaire dans le câblage fixe de chaque ventilateur.

REMARQUE : Assurez-vous que le récepteur est sous tension avant d'apparier la télécommande avec le récepteur.


Appariement télécommande / récepteur pour le ventilateur de plafond 1 :

- Coupez l'alimentation secteur des récepteurs des deux ventilateurs de plafond 1 et 2.
- Installez la pile de type 3V CC dans le compartiment. Veuillez vous assurer que le sens des polarités de la pile est correct. (Schéma 15)
- Mettez le récepteur 1 en marche. Gardez le récepteur 2 hors tension. (Chaque ventilateur de plafond doit avoir son propre interrupteur d'isolation, de sorte que seul le ventilateur de plafond qui doit être apparié avec la télécommande doit être en marche).
- Appuyez sur le bouton «  » de la **télécommande 1** et maintenez-le enfoncé pendant 3 à 5 secondes dans les 30 secondes suivant la mise sous tension du récepteur du ventilateur de plafond 1.
Si le ventilateur est équipé d'un kit d'éclairage, la lumière s'allume et s'éteint pour indiquer que le processus d'appariement est activé.

Airfusion Peregrine Installation Instructions

- Mettez le ventilateur de plafond 1 en marche et changez la vitesse avec la télécommande pour vérifier le fonctionnement si l'appariement a réussi.
- Si l'appariement n'a pas réussi, répétez à nouveau cette série d'étapes.

Appariement télécommande / récepteur pour le ventilateur de plafond 2 :

- Coupez l'alimentation secteur des récepteurs des deux ventilateurs de plafond 1 et 2.
- Installez la pile de type 3V CC dans le compartiment. Veuillez vous assurer que le sens des polarités de la pile est correct. (Schéma 15)
- Mettez le récepteur 2 en marche. Gardez le récepteur 1 hors tension. (Chaque ventilateur de plafond doit avoir son propre interrupteur d'isolation, de sorte que seul le ventilateur de plafond qui doit être apparié avec la télécommande doit être en marche).
- Appuyez sur le bouton «  » de la **télécommande 2** et maintenez-le enfoncé pendant 3 à 5 secondes dans les 30 secondes suivant la mise sous tension du récepteur du ventilateur de plafond 2. Si le ventilateur est équipé d'un kit d'éclairage, la lumière s'allume et s'éteint pour indiquer que le processus d'appariement est activé.
- Mettez le ventilateur de plafond 2 en marche et changez la vitesse avec la télécommande pour vérifier le fonctionnement si l'appariement a réussi.
- Si l'appariement n'a pas réussi, répétez à nouveau cette série d'étapes.

Boutons de la télécommande (schéma 16)

1 - BOUTONS DE CONTRÔLE DE LA VITESSE DU VENTILATEUR :

Il y a 6 vitesses disponibles. Le bouton « I » correspond à la vitesse la plus faible et le bouton « VI » à la vitesse la plus rapide.

REMARQUE : lorsque vous mettez le ventilateur en marche pour la première fois ou que vous coupez l'alimentation principale du contrôleur, vous devez d'abord démarrer le ventilateur à haute vitesse « VI », puis choisir une vitesse inférieure. Un délai de 5 à 10 secondes est nécessaire pour permettre au ventilateur CC de répondre à la télécommande pour chaque sélection de vitesse ou de direction du ventilateur.

2 - BOUTON D'ARRÊT DU VENTILATEUR :

Appuyez sur ce bouton pour éteindre le ventilateur.

3 - BOUTON DE FONCTION INVERSE :

Appuyez sur ce bouton pour activer la fonction de marche arrière. Le ventilateur doit fonctionner pour activer la fonction d'inversion de direction.

4 - BOUTON DE COMMANDE DE LA LUMIÈRE :

Appuyez sur ce bouton pour allumer ou éteindre la lumière.

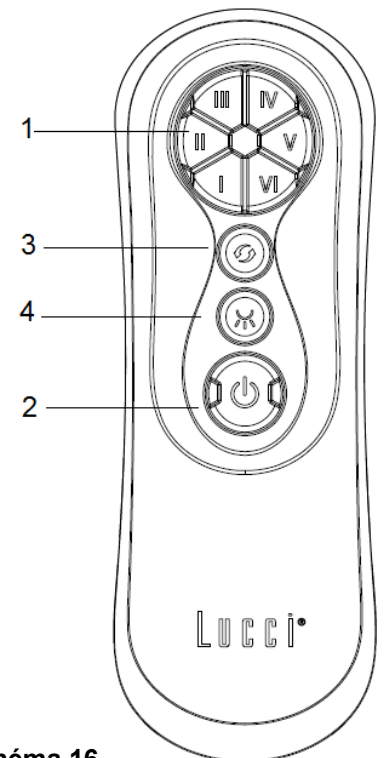


Schéma 16

La lumière LED a une fonction de gradation en 3 étapes qui est contrôlée par un interrupteur MARCHE / ARRÊT.

Lorsque la lumière LED est allumée et que sa luminosité est de 100 %, appuyez sur le bouton d'éclairage

pour l'allumer puis éteignez-la dans les 5 secondes, pour diminuer la luminosité du luminaire LED. Répétez l'opération en appuyant sur MARCHE puis sur ARRÊT dans les 5 secondes pour augmenter la luminosité dans l'ordre suivant : 100 % de luminosité → 50 % de luminosité → 20 % de luminosité → 100 % de luminosité.

Pour revenir à une luminosité de 100 % à n'importe quel moment, éteignez le luminaire, puis attendez 5 secondes avant de rallumer le luminaire, il se réinitialisera à une luminosité de 100 %.


RESTAURATION DE L'APPARIEMENT TÉLÉCOMMANDE ET RÉCEPTEUR – LORSQUE 1 VENTILATEUR DE PLAFOND EST INSTALLÉ

- Si la télécommande et le récepteur perdent le contrôle après l'installation ou pendant l'utilisation, l'appariement de la télécommande et du récepteur doit être effectué de nouveau.
- Vous trouverez ci-dessous les symptômes de dysfonctionnement et la méthode pour ré-apparier la télécommande et le récepteur.

Symptômes :

- Perte de contrôle - Le ventilateur ne fonctionne qu'à grande vitesse après l'installation.
- Perte de contrôle - Pas de fonction inverse après l'installation.
- Perte de contrôle - La télécommande ne peut pas communiquer avec le récepteur.

Étapes de réparation :

- Coupez l'alimentation principale du ventilateur de plafond pendant 30 secondes.
- Appuyez sur le bouton «  » de la **télécommande** et maintenez-le enfoncé pendant 3-5 secondes dans les 30 secondes suivant la mise sous tension du récepteur du ventilateur de plafond.
- Mettez le ventilateur de plafond en marche et changez la vitesse avec la télécommande pour vérifier le fonctionnement si l'appariement a réussi.

REMARQUE : le ventilateur est un ventilateur à courant continu. Un léger « balbutiement » fa lieu lors de l'appariement. Dans l'un ou l'autre sens de rotation, le ventilateur montrera un certain « balbutiement » avant de commencer la rotation ; ce phénomène est normal.

LE RÉCEPTEUR FOURNIT LE NIVEAU DE PROTECTION SUIVANT :

- Position de verrouillage : le récepteur dispose d'une fonction de sécurité intégrée pour protéger le ventilateur contre toute obstruction pendant le fonctionnement. Le moteur sera verrouillé et se déconnectera de l'alimentation après 30 secondes d'interruption. Veuillez enlever les obstructions avant de le redémarrer. Pour le réinitialiser, éteignez simplement l'alimentation du moteur du ventilateur et redémarrez-le.
- Protection supérieure à 80 W : lorsque le récepteur détecte une consommation électrique supérieure à 80 W, l'alimentation du récepteur s'arrête et le fonctionnement s'arrête immédiatement. Mettez le récepteur sous tension après 5 secondes pour redémarrer le ventilateur.

APRÈS L'INSTALLATION

TREMBLEMENTS :

REMARQUE : les ventilateurs de plafond ont tendance à bouger en cours de fonctionnement car ils sont montés sur un œillet en caoutchouc. Si le ventilateur était monté de manière rigide au plafond, cela provoquerait des vibrations excessives. Un mouvement de quelques centimètres est tout à fait acceptable et NE suggère AUCUN problème.

POUR RÉDUIRE LES TREMBLEMENTS DU VENTILATEUR : Veuillez vérifier que toutes les vis qui fixent le support de montage et la tige inférieure sont bien serrées.

KIT D'ÉQUILIBRAGE : Un kit d'équilibrage est fourni pour équilibrer le ventilateur de plafond lors de l'installation initiale. Veuillez vous référer aux instructions sur la façon d'utiliser le kit d'équilibrage. Le kit d'équilibrage peut être utilisé pour faciliter le rééquilibrage si le ventilateur de plafond devient déséquilibré. Rangez votre kit d'équilibrage après l'installation pour une future utilisation si nécessaire.

BRUIT :

Lorsque l'environnement est calme (surtout la nuit), vous pouvez entendre de petits bruits occasionnels. De légères fluctuations de puissance et des signaux de fréquence superposés à l'électricité pour le contrôle de l'eau chaude en période creuse peuvent provoquer une modification du bruit du moteur du ventilateur. Ce phénomène est normal. Veuillez prévoir une période d'installation de 24 heures, la plupart des bruits associés à un nouveau ventilateur disparaissent après cette période. Tous les moteurs électriques sont audibles dans une certaine mesure. Veuillez noter qu'il ne s'agit pas d'un défaut du produit et que, de ce fait, il n'est pas couvert par la garantie.

ENTRETIEN ET NETTOYAGE

REMARQUE : Coupez toujours l'alimentation au niveau de l'interrupteur principal avant d'effectuer tout entretien ou de tenter de nettoyer votre ventilateur.

- 1) Tous les 6 mois, le nettoyage périodique de votre ventilateur de plafond est le seul entretien requis. Utilisez une brosse douce ou un chiffon non pelucheux pour éviter de rayer la peinture. Veuillez couper l'alimentation électrique lorsque vous procédez au nettoyage
- 2) Ne faites pas tremper ni immerger le produit dans de l'eau ou d'autres liquides. Cela pourrait endommager le moteur ou les pales et créer un risque de choc électrique.
- 3) Assurez-vous que le raccord n'entre pas en contact avec des solvants organiques ou des produits de nettoyage.
- 4) Pour nettoyer les pales du ventilateur, essuyez-les uniquement avec un chiffon propre et humide, SANS solvants ni détergents organiques.
- 5) Le moteur est doté d'un roulement à billes lubrifié en permanence, il n'est donc pas nécessaire de lubrifier.

INFORMATIONS TECHNIQUES

Modèle du ventilateur	Dimensions du ventilateur	Vitesse	Volts (V)	Amps (A) (A)	Watts (W)	TR / MIN	CFM	CFM/W	Poids net (livres)	C.F.
PERE-FAN-US-***	56"	Extra fort	120	0,25	19,66 W	161	4410,99	224,36	9,9	2,18
		Faible	120	0,05	1,58 W	51	1242,59	786,45	9,9	2,18

Ce sont des mesures approximatives. Elles ne comprennent pas les données pour les lampes ou les luminaires fixés au ventilateur de plafond.

GARANTIE

La garantie d'un an couvre l'ensemble du ventilateur. Veuillez vous référer à la carte de garantie pour les détails.