



LUCCI AIRFUSION RADAR DC CEILING FAN

- **INSTALLATION**
- **OPERATION**
- **MAINTENANCE**
- **WARRANTY INFORMATION**

CAUTION
**READ INSTRUCTIONS CAREFULLY FOR SAFE
INSTALLATION AND FAN OPERATION.**

For customer support, please contact:

Tel: +1 (949) 800 8488

Email: support@beaconlighting.us

www.beaconlighting.us.



CONGRATULATIONS ON YOUR PURCHASE

Congratulations on purchasing the latest in energy saving ceiling fans. This fan runs on DC (direct current) power which gives it the benefit of being super energy efficient whilst still maintaining high volume air-movement and silent operation.

Energy Saving - The DC motor is the latest technology in fan design. Its highly efficient motor saves up to 65% more energy than ceiling fans with traditional AC motors.

Silent operation – This DC fan motor is programmed with a stabilised current which efficiently reduces motor noise.

Low operating temperature – The DC power is managed effectively which brings down the motor operating temperature to less than 50°C. This results in a much cooler motor than a standard AC fan and increases the longevity of the motor.

6 speed remote control - Regular AC ceiling fans usually come with only 3 speeds, this DC fan comes complete with a 6 speed remote, which gives greater choice of comfort levels.

SAFETY PRECAUTIONS

Read and Save These Instructions

This product conforms to UL standard 507 and CSA STD. C22.2 NO.113.

1. **WARNING** -To avoid possible electrical shock, before installing or servicing your fan, disconnect the power by turning off the circuit breaker of the fuse box to the outlet box.
2. **WARNING** - To reduce the risk of fire, electric shock, or personal injury, mount to outlet box marked “acceptable for fan support of 35 lbs (15.9 kg) or less” and use the mounting screws provided with the outlet box and/or support directly from building structure. Most outlet boxes commonly used for the support of luminaries may not be acceptable for fan support and may need to be replaced. Consult a qualified electrician if in doubt.
3. **WARNING** - To reduce the risk of fire or electric shock, do not use this fan with any solid-state speed control device.
4. **WARNING** - To reduce the risk of personal injury, do not bend the blade brackets when installing the blade brackets balancing the blades, or cleaning the fan. Do not insert foreign objects in between rotating fan blades.
5. **CAUTIONS** - All wiring must be in accordance with the National Electrical Code (ANSI/NFPA 70) and local electrical codes. Electrical installation should be performed by a qualified licensed electrician.
6. To reduce the risk of injury to person, the fan must be mounted with a minimum of 7 feet clearance from the bottom edge of the blades to the floor.
7. After marking electrical connections, spliced conductors should be turned upward and pushed carefully up into the outlet box. The wires should be spread apart with the grounded conductor and the equipment-grounding conductor on one side of the outlet box.
8. This equipment has been tested and found to comply with the limits for a Class B digital device, pursuant to part 15 of the FCC rules. These limits are to provide reasonable protection against harmful interference in a residential installation. This equipment generates, uses and can radiate radio frequency energy and if not installed and used in accordance with the instructions may cause harmful interference to radio communications.

PARTS LIST

Unpack your fan and check the contents. You should have the following:

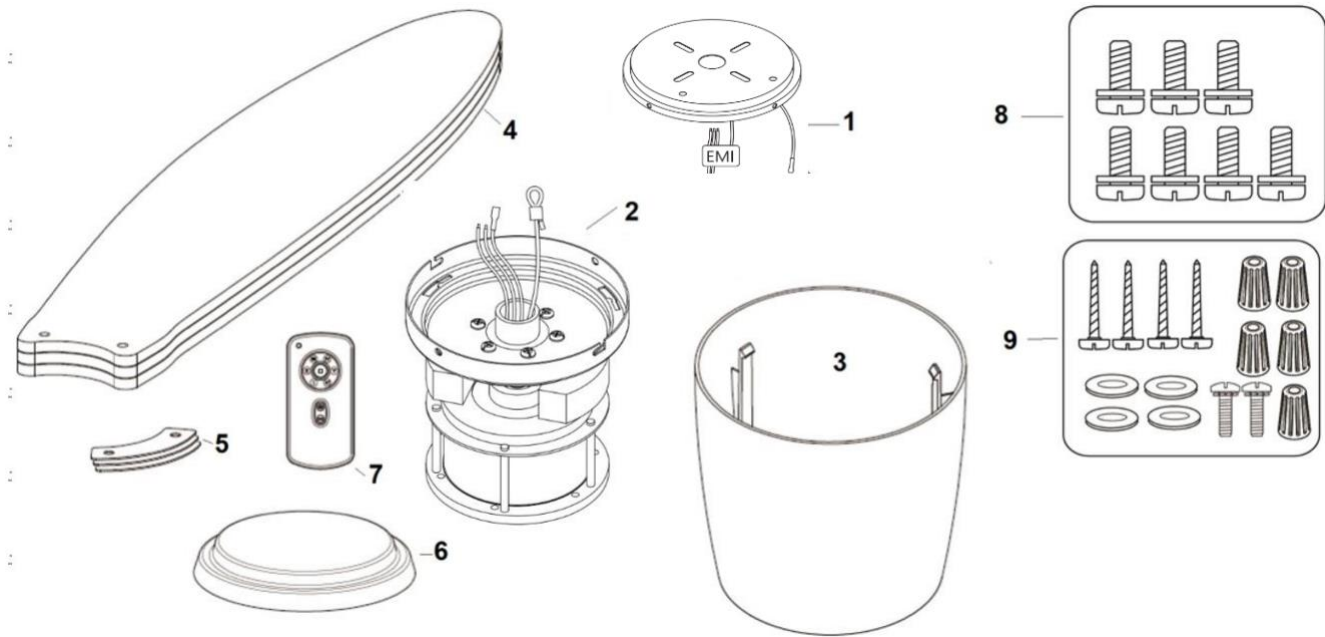


Fig. 1

- | | |
|---|---|
| <ol style="list-style-type: none"> 1. Mounting bracket with EMI filter x 1 2. Fan assembly x 1 3. Motor housing x 1 4. Blade x 3 5. Blade kit x 3 6. Bottom cover x 1 | <ol style="list-style-type: none"> 7. Remote transmitter with holder x 1 set
(12V 23AE Battery included) 8. Blade screw x 7 9. Mounting screw bag: <ul style="list-style-type: none"> • Wood screw x 4 • Machine screw x 2 • Flat washer x 4 • Wire nut x 5 |
|---|---|

INSTALLING THE MOUNTING BRACKET

If there isn't an existing outlet box, then install one using the following instructions:

- Disconnect the power by removing the fuses or turning off the circuit breakers.
- Secure the outlet box (A) (not included) directly to the building structure. Use appropriate fasteners and materials (not included). The outlet box and its bracing must be able to fully support the weight of the moving fan (at least 35 lbs). Do not use a plastic outlet box.
- Figures 2-3 below show three different ways to mount the outlet box (A) (not included).

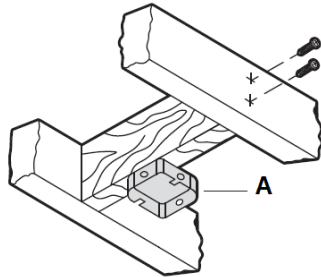


Fig. 2

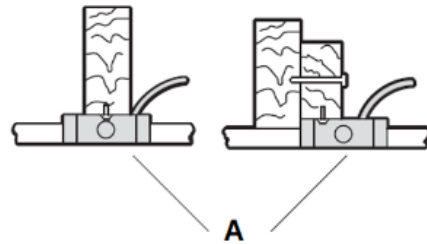


Fig. 3

NOTE: The ceiling fan must be installed in a location so that the blades are 300mm from the tip of the blade to the nearest objects or walls.

To hang your fan where there is an existing fixture but no ceiling joist, you may need an installation hanger bar (C) as shown in **Fig. 4**. Make sure the hanger bar you purchase has been designed for use with ceiling fans.

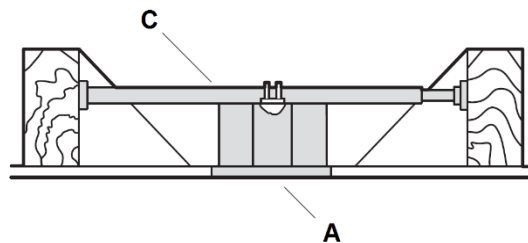


Fig. 4

HANGING THE FAN

INSTALLING THE MOUNTING BRACKET

Pass the power supply wires (C) from the ceiling outlet box (B) through the center of the ceiling mounting bracket (D). Install the ceiling mounting bracket (D) on the outlet box (B) with the mounting screws (F) provided with the outlet box and washers (E) provided with fan. **Fig. 5**

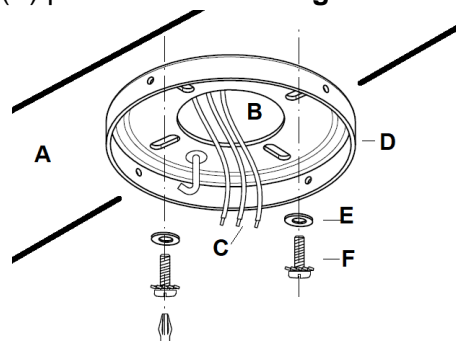


Fig. 5

HANGING THE FAN MOTOR ASSEMBLY

1. Lift the fan assembly to the mounting bracket (1) and let the J-hook of the mounting bracket (4) go through the hole of the hanging plate and hang up the fan assembly (3). Fig. 6
2. Connect the male and female connector together (2). Fig. 6
3. Pull the safety cable (5) on the scrow (6) and tight . lock the scrow (6) into the ceiling through the hole of mounting bracket , tight the safety cable .
4. Complete the electrical wiring using the diagram below (Figure. 7).

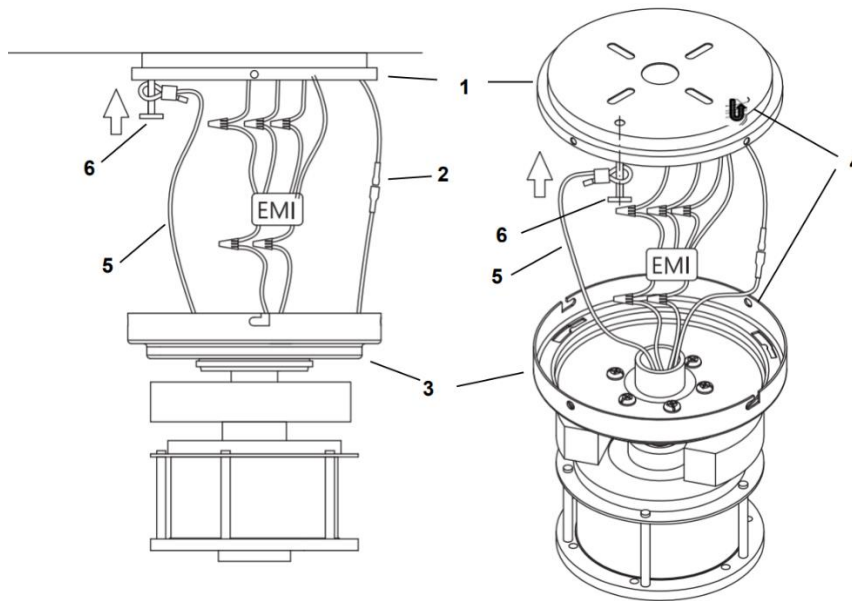


Fig. 6

ELECTRICAL WIRING DIAGRAM

WARNING: To avoid possible electrical shock, be sure you have turned off the power at the main circuit panel. Follow the steps below to connect the fan to your household wiring. Use the wire connecting nuts supplied with your fan. Secure the connectors with electrical tape. Make sure there are no loose wire strands or connections.

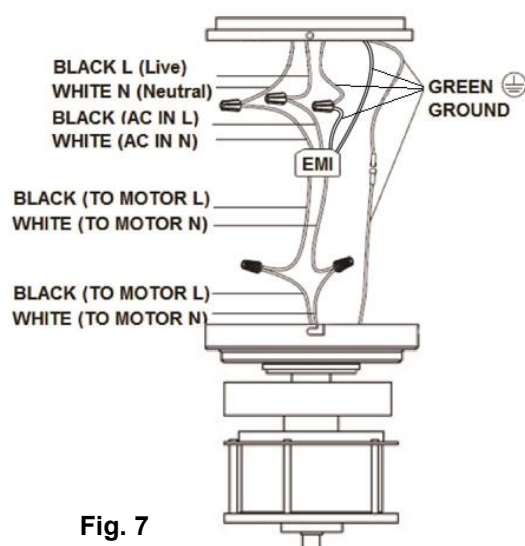


Fig. 7

1. Connect the household live supply wire (black) to EMI filter input wire (black, AC IN L) as shown in Fig. 7.
2. Connect the household neutral supply wire (white) to the EMI filter input wire (white, AC IN N).
3. Connect the household ground wire to the EMI filter ground wire (green). Connect the ground wire connectors together.
4. Connect the EMI filter output wire (black, TO MOTOR L) to motor live input wire (black, TO MOTOR L).
5. Connect the EMI filter output wire (white, TO MOTOR N) to motor neutral input wire (white, TO MOTOR N).
6. After connecting the wires, spread them apart so that the green and white wires are on one side of the outlet box and the black and blue wires are on the other side.
7. Turn the connecting nuts upward and push the wiring into the outlet box.

FINISHING THE INSTALLATION

INSTALL THE CANOPY COVER

- Loosen 2 screws (2) from the mounting bracket. Fig.8
- Loosen 2 screws (1) by half thread from the mounting bracket. Fig. 8
- Lift the hanging plate of the fan assembly up to the mounting bracket and let the L-shape slot on the hanging plate go through the screws (1) on the mounting bracket. Turn the hanging plate until it locks in place at the end section of the L-shape slot and secure it by tightening the two screws (2). Avoid damaging the electrical wiring prepared previously.
- Finally attach the motor housing to the hanging plate and secure it by pushing the hooks (3) into the slot holes and turn it anti clockwise.

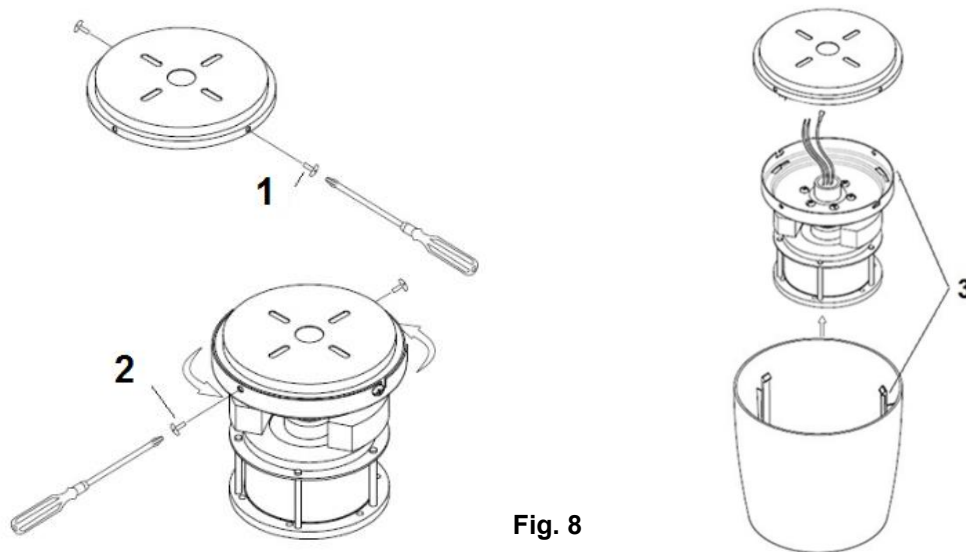


Fig. 8

BLADE INSTALLATION

- Insert the blade screws through the blade assembly in the following order - bracket kit (2) and blade (1). Attach the blade assembly to the motor and secure it by tightening the 2 screws (3). Fig. 9
- Repeat to install the other blades.
- Finally install the bottom cover (4) to the shaft of the motor by rotating it clockwise.

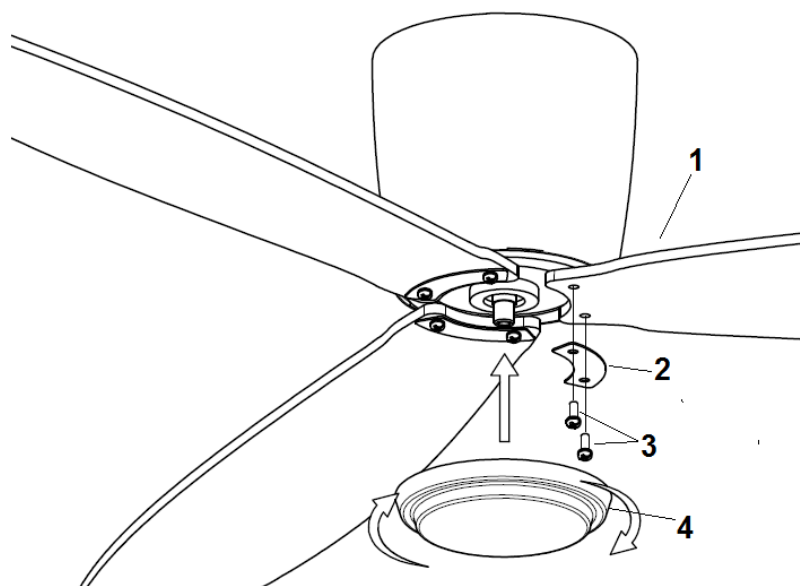


Fig. 9

Airfusion Radar Installation Instructions

LIGHT KIT INSTALLATION (Light kit sold separately)

Note: Light kit must be installed by a licensed electrician.

NOTE: The light kit is available for selected ceiling fan models and as an optional light kit.

1. Remove the bottom cover from shaft (A).
2. Remove the shrinkable tube (B) from light wires connector (C).
3. For light kit installation, please refer to light kit installation user guide.

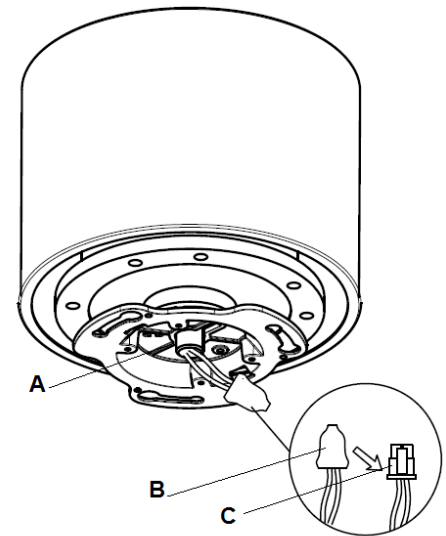


Fig. 10

USING YOUR CEILING FAN

Pairing Transmitter and Receiver – when 2 or more DC ceiling fans are installed in one location

When two or more fans are located near each other, you may want to have the receiver/transmitter for each fan set to a different code, so that the operation of one fan does not affect the operation of the other fan/s.

The DIP switches for the transmitter (remote hand piece) are located in the battery compartment of the transmitter. Configuring the DIP switches will allow a unique transmission code assigned to each fan ceiling.

NOTE: Ensure that you have installed a single pole disconnection switch in the fixed wiring for each fan.

NOTE: Ensure power to the receiver is ON prior to pairing the transmitter with the receiver.

Transmitter / Receiver pairing for Ceiling fan 1:

- Turn OFF the mains supply to the receivers of both ceiling fans 1 and 2.
- Install the 12V DC battery in the compartment. Please make sure the polarity of the battery is correct.

Fig.11

- Change the position of the DIP switches in the transmitter 1, so that it will be different to transmitter 2.
- Turn on the power to receiver 1. Keep the power OFF to receiver 2. (Each ceiling fan must have its own isolation switch, so that only the ceiling fan that needs to be paired with the transmitter will be ON).
- Press and hold the “SET” button of **transmitter 1** for 6 seconds within 60 seconds of switching the power ON to the receiver of ceiling fan 1.

While pairing the DC fan remote and receiver is in process, the fan will automatically start to rotate in the counterclockwise direction and on the highest RPM for 3 minutes. When counterclockwise rotation has finished, the fan will automatically reverse to clockwise direction to the highest RPM for 3 minutes. Fan will turn off when the pairing process has finished. During the pairing process, the remote is non-functional.

- Turn ON and change the speed of the ceiling fan 1 by the transmitter 1 to check the operation and successful pairing.

Transmitter / Receiver pairing for Ceiling fan 2:

- Turn off the mains supply to the receivers of both ceiling fans 1 and 2.

Airfusion Radar Installation Instructions

- Install the 12V DC battery in the compartment. Please make sure the polarity of the battery is correct.
Fig.11

- Change the position of the DIP switches in the transmitter 2, so that it will be different to transmitter 1.
- Turn on the power to receiver 2. Keep the power OFF to receiver 1. (Each ceiling fan must have its own isolation switch, so that only the ceiling fan that needs to be paired with the transmitter will be ON).
- Press and hold the “SET” button of **transmitter 2** for 6 seconds within 60 seconds of switching the power ON to the receiver of ceiling fan 2.

While pairing the DC fan remote and receiver is in process, the fan will automatically start to rotate in the counterclockwise direction and on the highest RPM for 3 minutes. When counterclockwise rotation has finished, the fan will automatically reverse to clockwise direction again to the highest RPM for 3 minutes. Fan will turn off when the pairing process has finished. During the pairing process, the remote is non-functional.

- Turn ON and change the speed of ceiling fan 2 by the transmitter 2 to check the operation and successful pairing.

Note: The pairing of the transmitter and receiver is not required if only one ceiling fan is installed. When more than two ceiling fans are installed near each other, please refer to the instruction above.

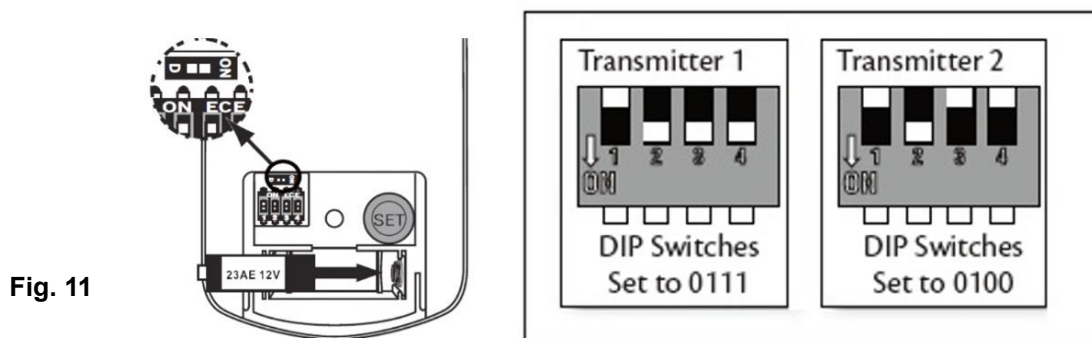


Fig. 11

Remote Control Buttons

A - FAN SPEED CONTROL BUTTONS:

There are 6 available speeds. “I” button is for the lowest speed, and “VI” button is for the fastest speed.

NOTE: when you turn on the fan for the first time or switch the main power to the controller, you need to start the fan on high “VI” speed first and then choose a lower speed. A 5-10 seconds is required to allow the DC fan to respond to the remote for each speed or fan direction selections.

B - FAN OFF BUTTON:

Press the button to turn the fan OFF.

C - REVERSE FUNCTION BUTTON:

Press the button to activate the reverse running function. The fan must be operating to activate the reverse function.

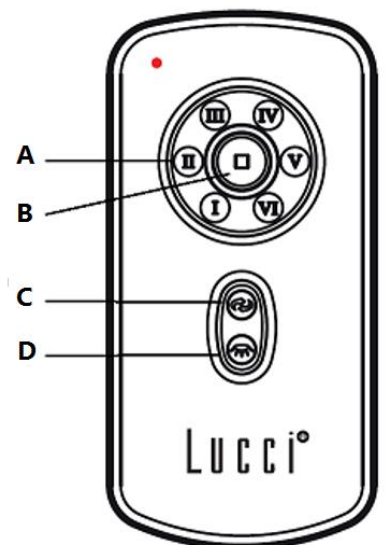


Fig. 12

Airfusion Radar Installation Instructions

D - LIGHT CONTROL BUTTON: (Light kit sold separately)

Press the button to turn the light ON/OFF.

Press and hold the button to access the light dimming function.

E – D / ON SWITCH

This switch marked **D/ON** controls the dimming function of the lights. If using non-dimmable bulbs, use a ballpoint pen or small screwdriver to set the switch to “**D**” to disable the dimming function. If using dimmable halogen bulbs, set the switch to “**ON**” to enable the dimming function. **Fig. 13**

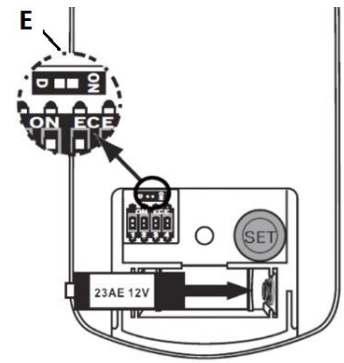


Fig. 13

THE RECEIVER PROVIDES THE FOLLOWING LEVEL OF PROTECTION:

- Lock position: the receiver has a built in safety feature to protect against obstruction during operation. The motor will be locked from operation and will disconnect from power after 30 seconds of interruption. Please remove obstacles before re-starting. To reset, simply turn off the power supply to the fan motor and re-start.
- Over 80W protection: when the receiver detects power consumption which is greater than 80W, the receiver power will be stopped and operation will immediately discontinue. Turn the receiver power on after 5 seconds to restart the fan.

REPAIRING THE FAN RECEIVER & REMOTE PAIRING

Should the remote and receiver lose control after installation or during use, the pairing of the remote and the receiver must be repaired. Below are the operating symptoms and method to repair the pairing of the DC ceiling fan remote and receiver.

Issues:

- Loss of control - Fan is only running at high speed after installation
- Loss of control - No reverse function after installation
- Loss of control - Remote cannot communicate with receiver

Solution:

- Switch OFF the main power to the ceiling fan for 30 seconds.
- Press and hold the “SET” button on **remote** for 6 seconds within 60 seconds of switching the power ON to the receiver of the ceiling fan.

While pairing the DC fan remote and receiver is in process, the fan will automatically start to rotate in the counterclockwise direction and on the highest RPM for 3 minutes. When counterclockwise rotation has finished, the fan will automatically reverse to clockwise direction again to the highest RPM for 3 minutes. Fan will turn off when the pairing process has finished. During the pairing process, the remote is non-functional.

- Turn ON and change the speed of the ceiling fan via the transmitter to check the operation and successful pairing.

Airfusion Radar Installation Instructions

INSTALLING THE TRANSMITTER HOLDER

Remove the cover (A) from the holder (B). Install the holder (B) with the two screws provided (C).

Replace the cover (A) into holder (B). **Fig. 14**

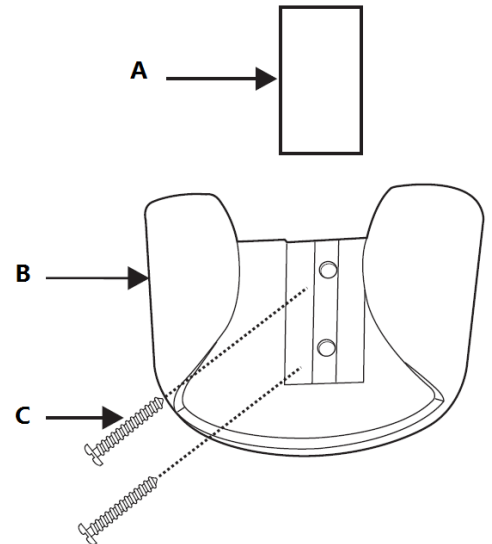


Fig. 14

AFTER INSTALLATION

WOBBLE:

NOTE: ceiling fans tend to move during operation due to the fact that they are mounted on a rubber grommet. If the fan was mounted rigidly to the ceiling it would cause excessive vibration. Movement of a few centimeters is quite acceptable and DOES NOT suggest any problem.

TO REDUCE THE FAN WOBBLE:

Please check that all screws which fix the mounting bracket are secure.

NOTE: This fan has been precision balanced at the factory and will not need to be balanced again.

NOISE:

When it is quiet (especially at night) you may hear occasional small noises. Slight power fluctuations and frequency signals superimposed in the electricity for off-peak hot water control, may cause a change in fan motor noise. This is normal. Please allow a 24-hour “breaking-in” period, most noises associated with a new fan disappear during this time. All electric motors are audible to some extent. Please note that this is not a product fault, and as such is not covered under warranty.

CARE AND CLEANING:

- Periodic cleaning of your ceiling fan is the only maintenance required. Use a soft brush or lint free cloth to avoid scratching the paint finish. Please turn off electricity power when you do so.
- Do not immerse your ceiling fan in the water. It could damage the motor or the blades and create the possibility of an electrical shock.
- Ensure that the fitting does not come in contact with any organic solvents or cleaners.
- To clean the fan blade, wipe with only a damp clean cloth with NO organic solvents or cleaners.
- The motor has a permanently lubricated ball bearing so there is no need to oil.

NOTE: Always turn OFF the power at the mains switch before attempting to clean your fan.

TECHNICAL INFORMATION

Fan Size	Speed	Volts (V)	Amps (A)	Watts (W)	RPM	CFM	CFM/W	N.W. (lbs)	G.W. (lbs)	C.F.
52" CT	Extra-High	120	0.46	33.65W	205	5327.70	158.32	10	12	1.29
	Medium High	120	0.22	15.08W	150	3878.77	257.21	10	12	1.29
	Low	120	0.06	3.08W	50	1091.20	354.28	10	12	1.29

These are approximate measurements. They do not include data for any lamps or fixtures attached to the ceiling fan.

WARRANTY

1 year warranty covers the entire fan. Please refer to warranty card for the details.

E**ENHORABUENA POR SU ADQUISICIÓN**

Enhorabuena por la compra de lo último en ventiladores de techo de bajo consumo. Este ventilador utiliza una corriente CC (corriente continua) para conseguir un gran ahorro de energía y proporcionar un elevado volumen de desplazamiento de aire y una operación silenciosa.

Ahorro de energía - El motor CC incorpora la última tecnología en diseño de ventiladores. Su motor de alta eficiencia ahorra hasta un 65% más de energía que los ventiladores de techo tradicionales con motores CA.

Operación silenciosa - El ventilador con motor CC está programado con una corriente estabilizada que reduce el ruido del motor eficientemente.

Baja temperatura de funcionamiento - Gestión efectiva de la alimentación CC para rebajar la temperatura de funcionamiento a menos de 50 °C. Con esto se consigue un motor más frío que el de un ventilador CA estándar y se aumenta la longevidad del motor.

Mando a distancia con 6 velocidades - Los ventiladores CA normales solo disponen de 3 velocidades. Este ventilador CC incluye un mando a distancia con 6 velocidades que le proporciona más opciones en cuanto al nivel de confort.

MEDIDAS DE SEGURIDAD**Lea y guarde estas instrucciones**

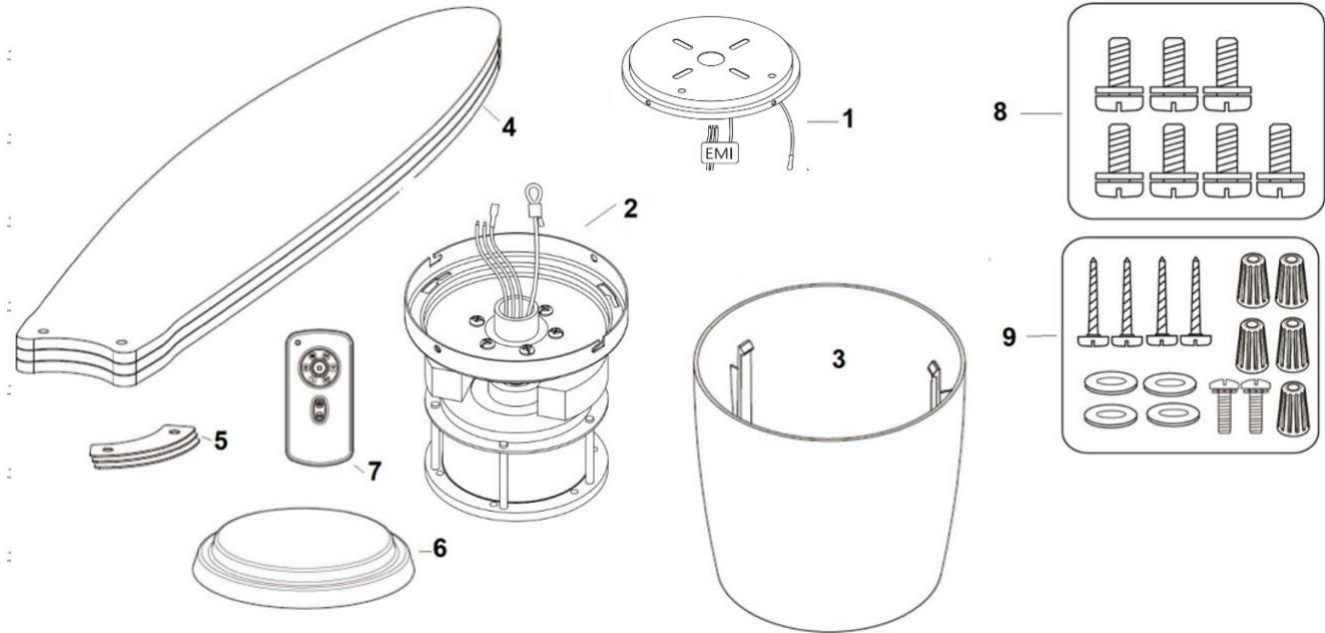
Este producto está conforme con el estándar UL 507 y CSA STD. C22.2 N.º113.

1. **ADVERTENCIA** - Para evitar posibles descargas eléctricas, corte la corriente que va a la caja eléctrica desde el disyuntor o la caja de fusibles.
2. **ADVERTENCIA** - Para reducir el riesgo de incendio, descarga eléctrica o lesión, móntelo en una caja eléctrica clasificada como «Apropiada para sostener ventiladores de 35 lb (15,9 kg) o menos», y utilice los tornillos de montaje suministrados con la caja eléctrica y/o fíjelo directamente a la estructura del edificio. La mayoría de las cajas eléctricas utilizadas comúnmente para el soporte de alumbrados puede que no sean apropiadas para sostener el ventilador y deban ser reemplazadas. Consulte con un electricista cualificado en caso de duda.
3. **ADVERTENCIA** - Para reducir el riesgo de incendio o electrocución, evite utilizar el ventilador con un dispositivo semiconductor para el control de la velocidad.
4. **ADVERTENCIA** - Para reducir el riesgo de lesión, no doble los soportes de las aspas cuando los instale en el que equilibran las aspas, o cuando limpie el ventilador. No inserte objetos entre las aspas en rotación.
5. **PRECAUCIÓN** - Todo el cableado debe realizarse cumpliendo con el Código Eléctrico Nacional (ANSI/NFPA 70) y los reglamentos de electricidad locales. La instalación eléctrica debería efectuarla un electricista acreditado.
6. Para reducir el riesgo de lesiones a personas, el ventilador debe montarse dejando un espacio mínimo de 2,13 m (7 feet) desde el lado inferior de las aspas hasta el suelo.
7. Después de realizar las conexiones eléctricas, los conductores empalmados deben reorientarse hacia arriba y empujarse con cuidado hacia el interior de la caja eléctrica. Los cables deben quedar apartados, con el conductor de tierra y el conductor de tierra del dispositivo a un lado de la caja eléctrica.
8. Tras someterlo a una serie de pruebas, se ha constatado que este aparato cumple los límites exigidos para dispositivos digitales pertenecientes a la Categoría B, según lo establecido en la sección 15 de la legislación de la FCC. Estos límites están diseñados para proporcionar una protección razonable contra

interferencias en instalaciones residenciales. Este aparato genera, usa y puede irradiar energía en forma de radiofrecuencia. En caso de no ser instalado y utilizado de acuerdo con las instrucciones, podría causar interferencias en las comunicaciones de radio.

LISTA DE PIEZAS

Desembale el ventilador y compruebe el contenido. Debería incluirse lo siguiente:



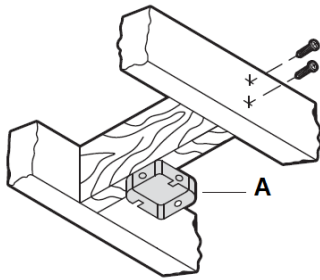
Img. 1

1. soporte de armado con filtro EMI x 1
2. conjunto de ventilador x 1
3. carcasa de motor x 1
4. aspas x 3
5. kits de aspas x 3
6. cubierta inferior x 1
7. juego de transmisor remoto con soporte x 1 (Batería de 12V 23AE incluida)
8. tornillos para aspas x 7
9. Bolsa de tornillos de armado:
 - tornillos de madera x 4
 - tornillos de máquina x 2
 - arandelas planas x 4
 - tuercas para cable x 5

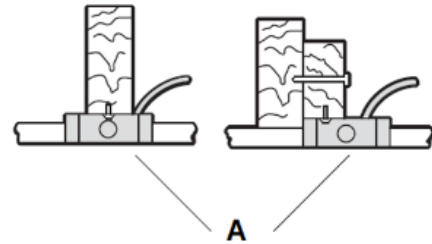
INSTALACIÓN DEL SOPORTE MURAL

Si no hay una caja eléctrica ya instalada, instale una siguiendo estas instrucciones:

- Corte la corriente quitando los fusibles o bajando los disyuntores.
- Asegure la caja eléctrica (A) (no incluida) directamente a la estructura del edificio. Utilice los elementos y materiales de fijación apropiados (no incluidos). La caja eléctrica y su apuntalamiento deben ser capaces de soportar el peso del ventilador en movimiento (15,9 kg como mínimo). No utilice una caja eléctrica de plástico.
- Las imágenes 2-4 más abajo muestran tres maneras diferentes de montar la caja eléctrica (A) (no incluida).



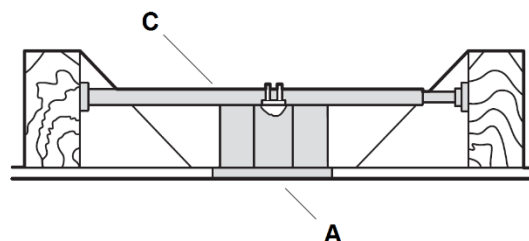
Img. 2



Img. 3

NOTA: El ventilador de techo debe instalarse en un lugar donde los extremos de las aspas queden a 300 mm como mínimo de las paredes y otros objetos.

Para colgar su ventilador donde ya haya un elemento de instalación pero sin vigas, puede que necesite instalar una barra para colgar (C) como la mostrada en la imagen 5. Asegúrese de que la barra de colgar que adquiera haya sido diseñada para usarse con ventiladores de techo.



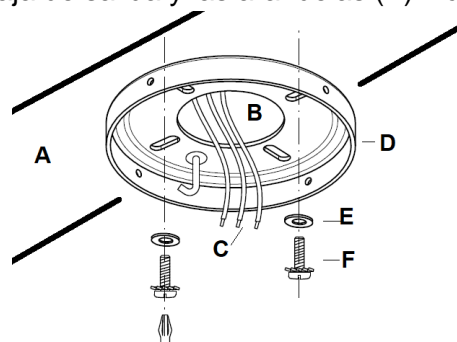
Img. 4

CÓMO COLGAR EL VENTILADOR

INSTALACIÓN DEL SOPORTE DE ARMADO

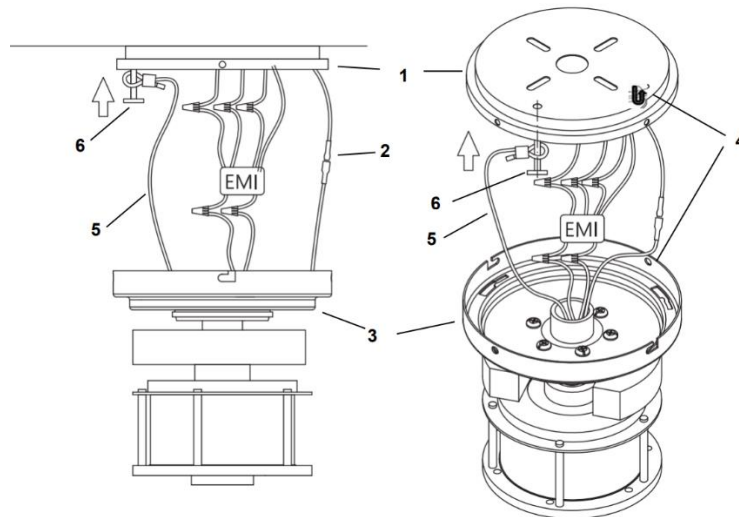
Pase los cables de alimentación (C) desde la caja de salida del techo (B) a través del centro del soporte de armado de techo (D). Instale el soporte de armado de techo (D) en la caja de salida (B) con los tornillos de armado (F) suministrados con la caja de salida y las arandelas (E) incluidas con el ventilador. **Img. 5**

Img. 5



COLGADO DEL CONJUNTO DEL MOTOR DEL VENTILADOR

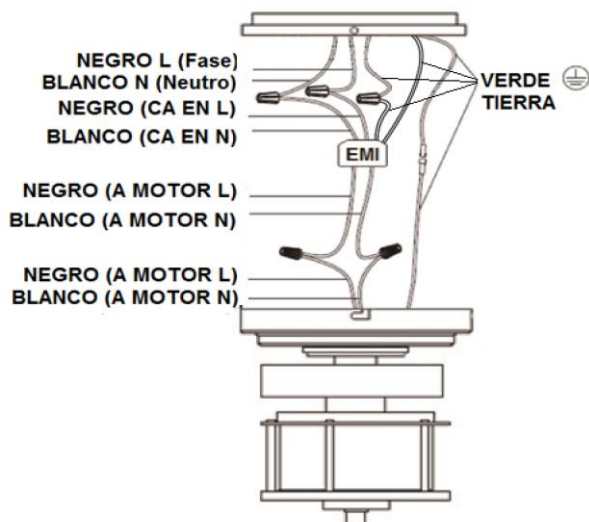
1. Eleve el conjunto del ventilador hacia el soporte de armado (1) y deje que el gancho en forma de J del soporte de armado (4) pase por el orificio de la placa de colgado y cuelgue el conjunto del ventilador (3).
Img. 6
2. Conecte los conectores macho y hembra uno al otro (2).
Img. 6
3. Tire del cable de seguridad (5) en el tornillo (6) y apriételo. Fije el tornillo (6) en el techo a través del orificio del soporte de armado y apriete el cable de seguridad.
4. Complete el cableado eléctrico según se indica en el diagrama abajo (Img. 7).



Img. 6

DIAGRAMA DE CONEXIONES ELÉCTRICAS

ADVERTENCIA: Para evitar posibles descargas eléctricas, asegúrese de que la corriente esté cortada en el cuadro de distribución.



Img. 7

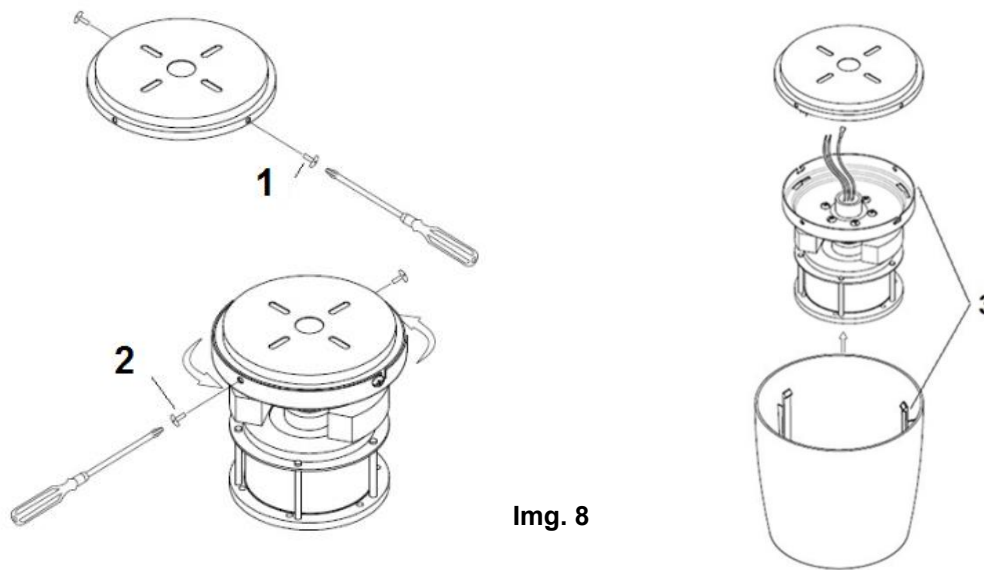
Siga los pasos siguientes para conectar el ventilador al cableado residencial. Utilice las tuercas de alambre incluidas con su ventilador. Asegure los conectores con cinta aislante. Asegúrese de que no haya hilos de cable o conexiones sueltas. Conecte el cable de fase de la residencia (negro) al cable de entrada del filtro EMI (negro, CA EN L) como muestra la **Img. 7**.

1. Conecte cable neutro de la residencia (blanco) al cable de entrada del filtro EMI (blanco, CA EN N).
2. Conecte el cable de tierra de la residencia al cable de tierra del filtro EMI (verde). Conecte los conectores del cable de tierra uno a otro.
3. Conecte el cable de salida del filtro EMI (negro, A MOTOR L) al cable de entrada de fase (negro, A MOTOR L).
4. Conecte el cable de salida del filtro EMI (blanco, A MOTOR N) al cable de entrada de neutro (blanco, A MOTOR N).
5. Tras conectar los cables, apártelos unos de otros de manera que los cables verdes y blancos queden a un lado de la caja eléctrica y los cables negro y azul queden al otro lado.
6. Oriente las tuercas de alambre hacia arriba y empuje los cables hacia el interior de la caja eléctrica.

CÓMO FINALIZAR LA INSTALACIÓN

INSTALACIÓN DE LA TAPA DE LA CUBIERTA

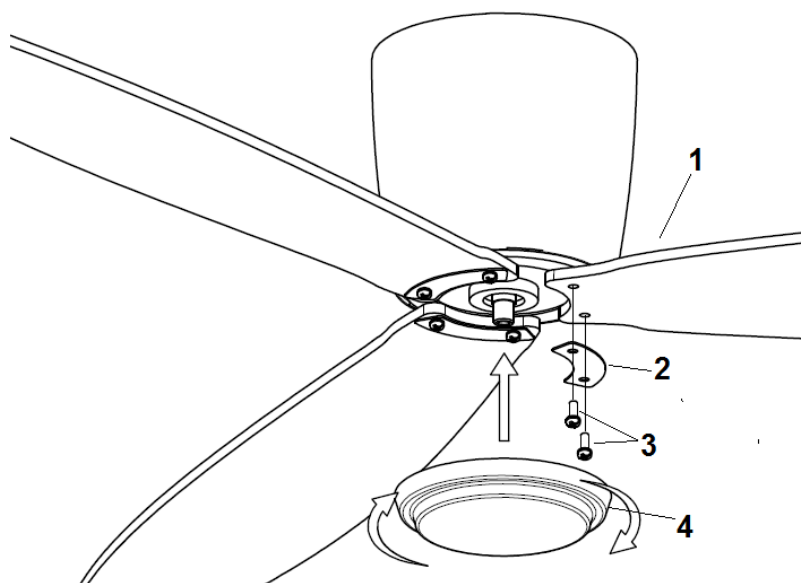
- Afloje 2 tornillos (2) del soporte de armado. Img.8
- Afloje 2 tornillos (1) media vuelta del soporte de armado. Img. 8
- Eleve la placa de colgado del conjunto del ventilador hasta el soporte de armado y deje que la ranura en forma de L pase por los tornillos (1) del soporte de armado. Gire la placa de colgado hasta que se fije en su lugar en el extremo de la sección de la ranura en forma de L y fijela apretando los dos tornillos (2). Evite dañar el cableado eléctrico preparado con anterioridad.
- Para finalizar, enganche la carcasa del motor a la placa de colgado y fijela presionando los ganchos (3) para introducirlos en los orificios de las ranuras y gírela en sentido antihorario.



Img. 8

INSTALACIÓN DE LAS ASPAS

- Inserte los tornillos de las aspas a través del conjunto de las aspas en el orden siguiente – kit de soporte (2) y aspa (1). Enganche el conjunto de las aspas al motor y fijelo apretando los 2 tornillos (3). Img. 9
- Repita este procedimiento para instalar las otras aspas.
- Para finalizar, instale la cubierta inferior (4) en el eje del motor girándola en sentido horario.



Img. 9

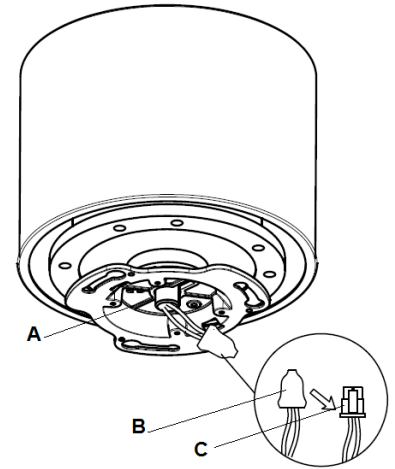
Img. 9

INSTALACIÓN DEL KIT DE LUZ (el kit de luz se vende por separado)

Nota: El kit de luz debe ser instalado por un electricista acreditado.

NOTA: El kit de luz está disponible para algunos modelos de ventiladores de techo y es un kit opcional.

1. Retire la cubierta inferior del eje (A).
2. Retire el tubo retráctil (B) del conector de los cables de la luz (C).
3. Para la instalación del kit de luz, consulte el manual de instalación del kit de luz.



Img. 10

MODO DE EMPLEO DEL VENTILADOR DE TECHO

Emparejamiento del transmisor y el receptor - cuando hay dos o más ventiladores de techo CC instalados en un mismo lugar

Cuando hay dos o más ventiladores próximos, se recomienda ajustar el transmisor/receptor de cada ventilador con un código diferente, de manera que el funcionamiento de un ventilador no afecte el de otro.

Los interruptores DIP del transmisor (mando a distancia) están situados en el compartimento de las pilas del transmisor. La configuración de los interruptores DIP permitirá asignar un código único a cada ventilador de techo.

NOTA: Asegúrese de haber instalado un seccionador unipolar en el cableado fijo para cada ventilador.

NOTA: Asegúrese de que el receptor esté conectado a la corriente antes de emparejar el transmisor con el receptor.

Emparejamiento del transmisor y el receptor del ventilador de techo 1:

- Desconecte la corriente de los receptores de los ventiladores 1 y 2.
- Instale una batería de 12V CC en el compartimento. Asegúrese de instalarla en el sentido correcto de la polaridad. **Img. 11**
- Cambie la posición de los interruptores DIP en el transmisor 1, de manera que sean diferentes a los del transmisor 2.
- Vuelva a conectar la corriente en el receptor 1. Mantenga el receptor 2 sin corriente. (Cada ventilador de techo debe tener su propio seccionador, de manera que el ventilador de techo que necesite ser emparejado con el transmisor siga recibiendo corriente).
- En los 60 segundos siguientes a la conexión del receptor del ventilador de techo 1 a la corriente, pulse el botón «SET» del **transmisor 1** durante 6 segundos.

Durante el proceso de emparejamiento del mando a distancia y el receptor del ventilador CC, el ventilador empezará a girar automáticamente en sentido antihorario a sus revoluciones máximas durante 3 minutos. Cuando termine de girar en sentido antihorario, el ventilador cambiará de sentido automáticamente y girará a sus máximas revoluciones otros 3 minutos. El ventilador se apagará una vez que haya finalizado

el proceso de emparejamiento. Durante el proceso de emparejamiento, el mando a distancia no tendrá funcionalidad.

- Encienda el ventilador 1 y cambie su velocidad desde el transmisor 1 para comprobar que está emparejado y funciona correctamente.

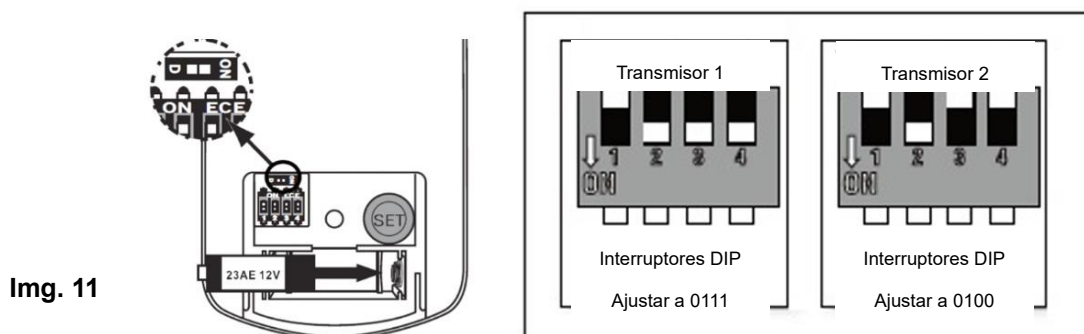
Emparejamiento del transmisor y el receptor del ventilador de techo 2:

- Desconecte la corriente de los receptores de los ventiladores 1 y 2.
- Instale una batería de 12V CC en el compartimento. Asegúrese de instalarla en el sentido correcto de la polaridad. **Img. 11**
- Cambie la posición de los interruptores DIP en el transmisor 2, de manera que sean diferentes a los del transmisor 1.
- Vuelva a conectar la corriente en el receptor 2. Mantenga el receptor 1 sin corriente. (Cada ventilador de techo debe tener su propio seccionador, de manera que el ventilador de techo que necesite ser emparejado con el transmisor siga recibiendo corriente).
- En los 60 segundos siguientes a la conexión del receptor del ventilador de techo 2 a la corriente, pulse el botón «SET» del **transmisor 2** durante 6 segundos.

Durante el proceso de emparejamiento del mando a distancia y el receptor del ventilador CC, el ventilador empezará a girar automáticamente en sentido antihorario a sus revoluciones máximas durante 3 minutos. Cuando termine de girar en sentido antihorario, el ventilador cambiará de sentido automáticamente y girará a las máximas revoluciones otros 3 minutos. El ventilador se apagará una vez que haya finalizado el proceso de emparejamiento. Durante el proceso de emparejamiento, el mando a distancia no tendrá funcionalidad.

- Encienda el ventilador 2 y cambie su velocidad desde el transmisor 2 para comprobar que está emparejado y funciona correctamente.

Nota: El emparejamiento del transmisor y el receptor no es necesario si solo se instala un ventilador de techo. Cuando haya dos o más ventiladores de techo próximos unos a otros, consulte las instrucciones anteriores.



Botones del mando a distancia

A - BOTONES DE LA VELOCIDAD DEL VENTILADOR:

Hay 6 velocidades disponibles. El botón «I» representa la velocidad más baja, y el botón «VI» la más elevada.

NOTA: Cuando encienda el ventilador por primera vez o cambie el encendido al controlador, necesitará primero poner en marcha el ventilador a la velocidad «VI» y elegir después una velocidad más baja. Se requieren de 5 a 10 segundos para que el ventilador CC responda a la velocidad o al sentido de giro del ventilador seleccionados con el mando a distancia.

B - BOTÓN DE APAGADO DEL VENTILADOR:

Pulse este botón para apagar el ventilador.

C - BOTÓN DE CAMBIO DE SENTIDO:

Pulse este botón para activar la función de cambio de sentido. El ventilador debe estar funcionando para activar la función de cambio de sentido.

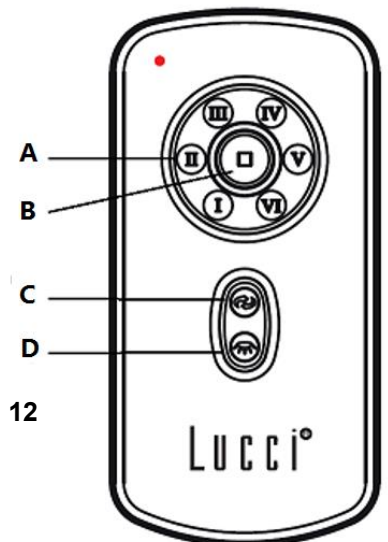
D - BOTÓN DE CONTROL DE LA LUZ: (El kit de luz se vende por separado)

Pulse este botón para apagar o encender la luz.

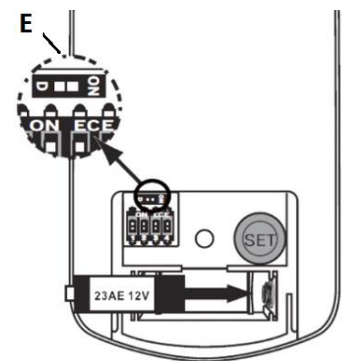
Mantenga pulsado el botón para acceder a las funciones de regulación de la luz.

E – INTERRUPTOR D/ON

El interruptor con el símbolo **D/ON** controla la función de regulación de las luces. Si las bombillas utilizadas no son regulables, utilice un bolígrafo de punta de bola o un destornillador pequeño para ajustar el interruptor a «D» y deshabilitar la función de regulación de la luz. Si utiliza bombillas halógenas regulables, ajuste el interruptor a «ON» para habilitar la función de regulación de la luz. **Img. 13**



Img. 12



Img. 13

EL RECEPTOR PROPORCIONA LOS SIGUIENTES NIVELES DE PROTECCIÓN:

- Posición de bloqueo: el receptor incorpora una función de seguridad para protegerlo en caso de obstrucciones en el ventilador cuando está en funcionamiento. El motor se quedará bloqueado y se desconectará de la corriente después de 30 segundos de interrupción. Por favor, retire los obstáculos antes de volver a reanudar el funcionamiento del aparato. Para restablecer el ventilador, apague el motor del ventilador y vuelva a encenderlo.
- Protección sobre 80W: cuando el receptor detecta un consumo eléctrico superior a 80W, el receptor se apagará y su funcionamiento se detendrá inmediatamente. Encienda el receptor después de 5 segundos para reanudar el funcionamiento del ventilador.

REEMPAREJAMIENTO DEL RECEPTOR Y EL MANDO A DISTANCIA DEL VENTILADOR

Si pierde el control del receptor o el mando a distancia después de la instalación o durante su uso, vuelva a emparejarlos. A continuación, se describen algunos problemas de funcionamiento y cómo solucionar el emparejamiento del receptor y el mando a distancia del ventilador CC.

Problemas:

- Pérdida de control - El ventilador solo funciona a una velocidad elevada después de instalarlo
- Pérdida de control - La función de cambio de sentido no funciona después de instalarlo
- Pérdida de control - El mando a distancia no se comunica con el receptor

Solución:

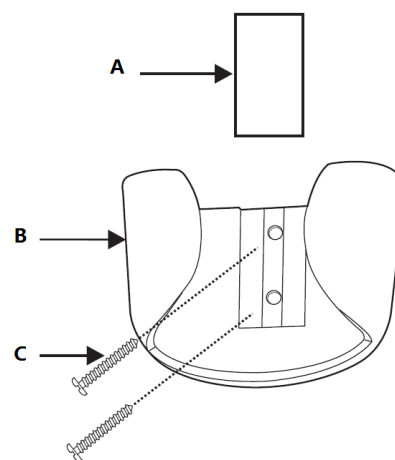
A. Apague el ventilador de techo durante 30 segundos.

- B. En los 60 segundos siguientes a la conexión del receptor del ventilador de techo 2 a la corriente, pulse el botón «SET» del **transmisor** durante 6 segundos.
 Durante el proceso de emparejamiento del mando a distancia y el receptor del ventilador CC, el ventilador empezará a girar automáticamente en sentido antihorario a sus revoluciones máximas durante 3 minutos. Cuando termine de girar en sentido antihorario, el ventilador cambiará de sentido automáticamente y girará a las máximas revoluciones otros 3 minutos. El ventilador se apagará una vez que haya finalizado el proceso de emparejamiento. Durante el proceso de emparejamiento, el mando a distancia no tendrá funcionalidad.
- C. Encienda el ventilador de techo y cambie su velocidad desde el transmisor para comprobar que está emparejado y funciona correctamente.

INSTALACIÓN DEL PORTAMANDO

Retire la cubierta (A) del portamando (B). Instale el portamando (B) con los dos tornillos (C) suministrados.

Vuelva a poner la cubierta (A) en el portamando (B). **Img. 14**



Img. 14

DESPUÉS DE LA INSTALACIÓN

BAMBOLEO:

NOTA: Los ventiladores de techo tienden a moverse cuando están funcionando debido a que están montados sobre una arandela de goma. Si el ventilador está montado rígidamente al techo, se podrían generar unas vibraciones excesivas. Unos pocos centímetros de movimiento es bastante aceptable y NO indica que haya un problema.

PARA DISMINUIR EL CABECEO DEL VENTILADOR:

Compruebe que todos los tornillos que fijan el soporte de armado están bien asegurados.

NOTA: Este ventilador viene de fábrica con estabilización precisa y no necesita estabilizarse de nuevo.

RUIDO:

En los momentos de silencio (sobre todo por la noche), se pueden escuchar ruidos tenues ocasionalmente. Las ligeras fluctuaciones de la corriente y las señales de frecuencia eléctrica superpuestas en el control del agua caliente durante las horas no punta, puede causar cambios en el ruido del motor del ventilador. Esto es algo normal. Por favor, permita un periodo de rodaje de 24 horas, transcurridos los cuales la mayoría de los ruidos asociados con su nuevo ventilador deberán desaparecer. Todos los motores eléctricos son audibles hasta cierto punto. Entienda que esto no es un fallo del producto y por lo tanto no está cubierto por la garantía.

CUIDADO Y MANTENIMIENTO:

- La limpieza periódica de su ventilador de techo es el único mantenimiento que se requiere. Utilice un cepillo blando o un paño sin pelusa para no arañar el acabado de pintura. Por favor, corte la corriente cuando haga esto.
- No sumerja el ventilador de techo en el agua, dado que podría dañar el motor o las aspas y causar posibles descargas eléctricas.
- Asegúrese de que la luminaria no entre en contacto con limpiadores o disolventes orgánicos.
- Para limpiar las aspas del ventilador, utilice solamente un paño limpio y húmedo SIN limpiadores o disolventes orgánicos.
- El motor tiene un rodamiento con lubricación permanente, por lo que no es necesario engrasarlo.

NOTA: Apague siempre el ventilador desde el interruptor de alimentación antes de limpiarlo.

INFORMACIÓN TÉCNICA

Dimensiones del ventilador	Velocidad	Voltios (V)	Amperios (A)	Vatios (W)	RPM	CFM	CFM/W	Peso neto (lb)	Peso bruto (lb)	C.F.
52" CT	Extra alta	120	0.46	33.65W	205	5327.70	158.32	10	12	1.29
	Moderadamente alta	120	0.22	15.08W	150	3878.77	257.21	10	12	1.29
	Baja	120	0.06	3.08W	50	1091.20	354.28	10	12	1.29

Estos son medidas aproximadas. No incluyen datos de ninguna de las lámparas o luces que van instaladas al ventilador de techo.

GARANTÍA

1 años de garantía para todo el ventilador. Por favor, consulte la tarjeta de garantía para más información.



FÉLICITATIONS POUR VOTRE ACHAT

Nous vous félicitons d'avoir acheté le dernier ventilateur de plafond à économie d'énergie. Ce ventilateur fonctionne sur une alimentation CC (courant continu), ce qui lui donne l'avantage d'être très économe en énergie tout en maintenant un mouvement d'air important et un fonctionnement silencieux.

Économie d'énergie - Le moteur à courant continu est la dernière technologie en matière de conception de ventilateurs. Son moteur à haut rendement permet d'économiser jusqu'à 65% d'énergie de plus que les ventilateurs de plafond équipés de moteurs à courant alternatif traditionnels.

Fonctionnement silencieux - Ce moteur de ventilateur à courant continu est programmé avec un courant stabilisé qui réduit efficacement le bruit du moteur.

Faible température de fonctionnement - L'alimentation en courant continu est gérée efficacement, ce qui réduit la température de fonctionnement du moteur à moins de 50°C. Il en résulte un moteur beaucoup plus froid qu'un ventilateur CA standard et augmente la longévité du moteur.

Télécommande à 6 vitesses - Les ventilateurs de plafond CA ordinaires sont généralement livrés avec seulement 3 vitesses, ce ventilateur CC est livré avec une télécommande à 6 vitesses, ce qui offre un plus grand choix de niveaux de confort.

PRÉCAUTIONS DE SÉCURITÉ

Lisez et conservez ces instructions

Ce produit est conforme à la norme UL 507 et à la norme CSA STD. C22.2 NO.113.

1. **AVERTISSEMENT** - Pour éviter tout risque d'électrocution, avant d'installer ou de réparer votre ventilateur, débranchez l'alimentation électrique en désactivant le disjoncteur de la boîte à fusibles de la prise de courant.
2. **AVERTISSEMENT** - Pour réduire les risques d'incendie, de choc électrique ou de blessures, montez-le sur le boîtier de sortie marqué « adapté au support de ventilateur de 35 livres (15,9 kg) ou moins » et utilisez les vis de montage fournies avec le boîtier de sortie et / ou le support directement à partir de la structure du bâtiment. La plupart des boîtiers de sortie couramment utilisés pour le support des luminaires peuvent ne pas être adaptés pour le support de ventilateurs et doivent éventuellement être remplacés. Consultez un électricien qualifié en cas de doute.
3. **AVERTISSEMENT** - Pour réduire les risques d'incendie ou de choc électrique, n'utilisez pas ce ventilateur avec un dispositif de contrôle de la vitesse à semi-conducteurs.
4. **AVERTISSEMENT** - Pour réduire les risques de blessures, ne tordez pas les supports de pale lors de l'installation des supports de pale, lors de l'équilibrage des pales ou lors du nettoyage du ventilateur. N'insérez pas d'objets étrangers entre les pales du ventilateur en rotation.
5. **ATTENTION** - Tout le câblage doit être conforme au code électrique national (ANSI / NFPA 70) et aux codes électriques locaux. L'installation électrique doit être effectuée par un électricien qualifié et agréé.
6. Pour réduire les risques de blessures, le ventilateur doit être monté avec un dégagement minimum de 7 pieds du bord inférieur des pales au sol.
7. Après avoir marqué les connexions électriques, les conducteurs épissés doivent être tournés vers le haut et poussés avec précaution dans le boîtier de sortie. Les fils doivent être écartés avec le conducteur mis à la terre et le conducteur de mise à la terre de l'équipement sur un côté du boîtier de sortie.
8. Cet équipement a été testé et déclaré conforme aux limites imposées aux appareils numériques de classe B, conformément à la section 15 des règles de la FCC. Ces limites doivent fournir une protection

raisonnable contre les interférences nuisibles dans une installation résidentielle. Cet équipement génère, utilise et peut émettre de l'énergie de fréquence radio. S'il n'est pas installé et utilisé conformément aux instructions, il peut causer des interférences nuisibles aux communications radio.

LISTE DES PIÈCES

Déballez votre ventilateur et vérifiez le contenu. L'emballage doit contenir les éléments suivants :

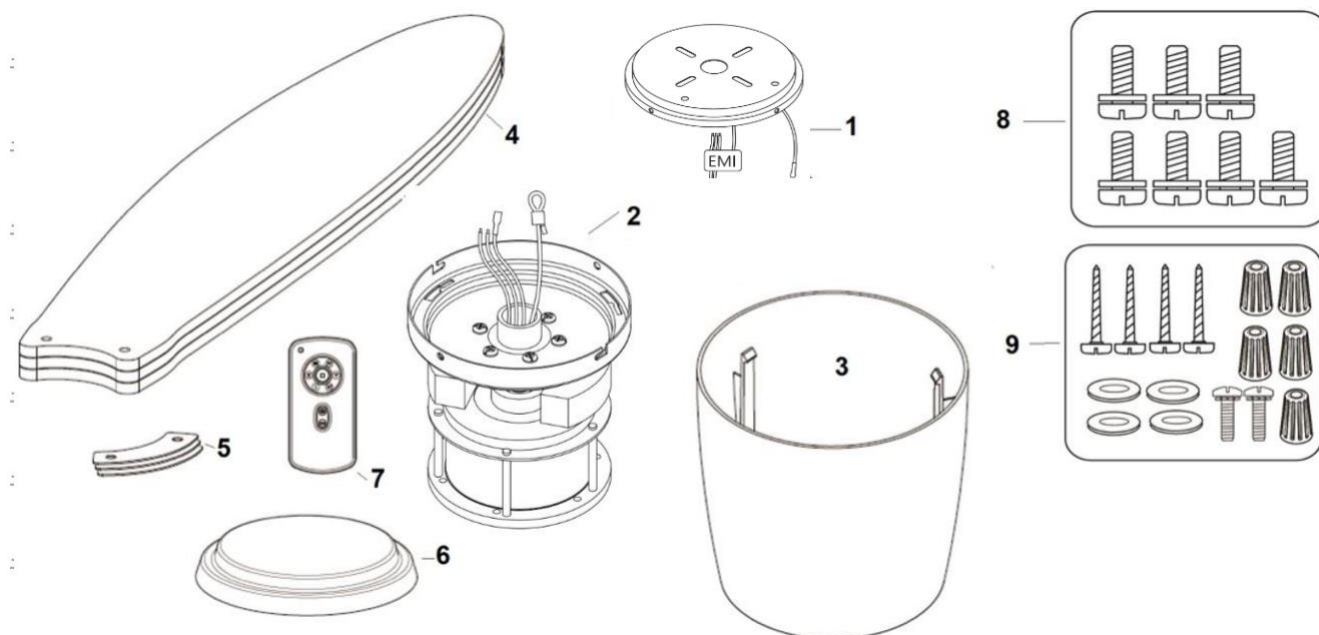


Schéma 1

- | | |
|---|---|
| <ol style="list-style-type: none"> 1. Support de montage avec filtre EMI x 1 2. Assemblage du ventilateur x 1 3. Boîtier moteur x 1 4. Pale x 3 5. Kit de pale x 3 6. Cache inférieur x 1 | <ol style="list-style-type: none"> 7. Télécommande avec support x 1 set
(Pile de type 12V 23AE incluse) 8. Vis à pale x 7 9. Sac de vis de montage : <ul style="list-style-type: none"> • Vis à bois x 4 • Vis à métaux x 2 • Rondelle plate x 4 • Écrou de fil x 5 |
|---|---|

INSTALLATION DU SUPPORT DE MONTAGE

S'il n'y a pas de boîtier de sortie existant, installez-en un en suivant les instructions suivantes :

- Déconnectez l'alimentation en retirant les fusibles ou en désactivant les disjoncteurs.
- Fixez le boîtier de sortie (A) (non inclus) directement à la structure du bâtiment. Utilisez les fixations et le matériel appropriés (non inclus). Le boîtier de sortie et son support doivent être en mesure de supporter pleinement le poids du ventilateur en mouvement (au moins 35 livres). N'utilisez pas de boîtier de sortie en plastique.
- Les schémas 2 et 3 ci-dessous illustrent trois manières différentes de monter le boîtier de sortie (A) (non fourni).

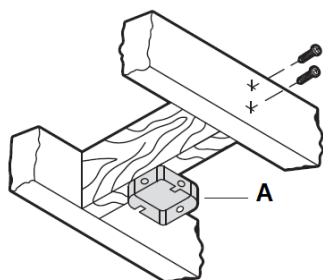


Schéma 2

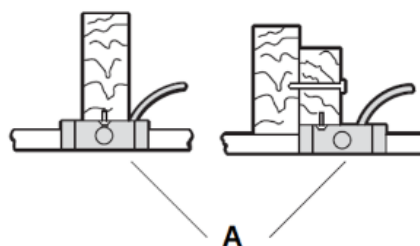


Schéma 3

REMARQUE : Le ventilateur de plafond doit être installé dans un endroit tel que les pales soient espacées de 300 mm de la pointe de la pale jusqu'aux objets ou aux murs les plus proches.

Pour suspendre votre ventilateur là où il y a un luminaire existant mais pas de solive de plafond, vous aurez peut-être besoin d'une barre de suspension d'installation (C), comme illustré sur le schéma 4. Assurez-vous que la barre de suspension que vous avez achetée a été conçue pour être utilisée avec un ventilateur de plafond.

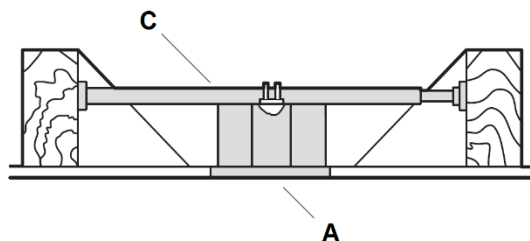


Schéma 4

SUSPENSION DU VENTILATEUR

INSTALLATION DU SUPPORT DE MONTAGE

Passez les fils d'alimentation (C) du boîtier de sortie de plafond (B) par le centre du support de montage au plafond (D). Installez le support de montage au plafond (D) sur le boîtier de sortie (B) à l'aide des vis de montage (F) fournies avec le boîtier de sortie, et les rondelles (E) fournies avec le ventilateur. **Schéma 5**

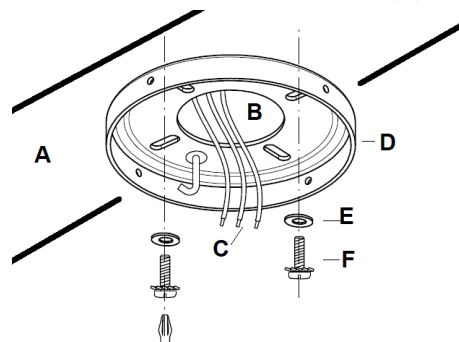


Schéma 5

SUSPENSION DU BOÎTIER MOTEUR DU VENTILATEUR

1. Soulevez l'assemblage du ventilateur sur le support de montage (1) et laissez le crochet en J du support de montage (4) passer par le trou de la plaque de suspension et suspendez l'assemblage du ventilateur (3). Schéma 6
2. Connectez les connecteurs mâle et femelle ensemble (2). Schéma 6
3. Tirez le câble de sécurité (5) sur la vis (6) et serrez-le, verrouillez la vis (6) dans le plafond à travers le trou du support de montage puis serrez le câble de sécurité.
4. Complétez le câblage électrique en utilisant le schéma ci-dessous (schéma 7).

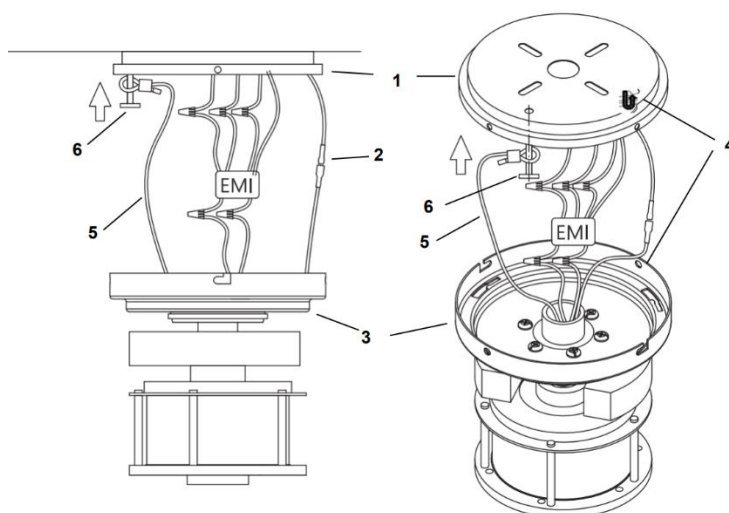


Schéma 6

SCHÉMA DE CÂBLAGE ÉLECTRIQUE

AVERTISSEMENT : Pour éviter tout risque d'électrocution, assurez-vous d'avoir coupé l'alimentation au niveau du panneau de circuit principal.

Suivez les étapes ci-dessous pour connecter le ventilateur au câblage de votre domicile. Utilisez les écrous de connexion des fils fournis avec votre ventilateur. Fixez les connecteurs avec du ruban isolant. Assurez-vous qu'il n'y a pas de brins de fils ou de connexions desserrés.

NOIR L (Sous tension)

BLANC N (Neutre)

NOIR (entrée CA Sous tension)

BLANC (entrée CA Neutre)

NOIR (VERS LE MOTEUR SOUS TENSION)

BLANC (VERS LE MOTEUR NEUTRE)

NOIR (VERS LE MOTEUR SOUS TENSION)

BLANC (VERS LE MOTEUR NEUTRE)

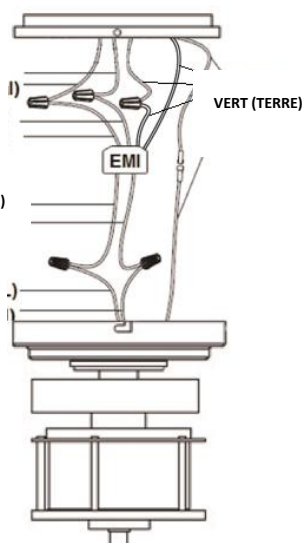


Schéma 7

1. Raccordez le fil d'alimentation domestique sous tension (noir) au fil d'entrée du filtre EMI (noir, entrée CA sous tension), comme illustré sur le **schéma 7**.

2. Connectez le fil d'alimentation neutre (blanc) au fil d'entrée du filtre EMI (blanc, entrée CA Neutre).

3. Connectez le fil de terre domestique au fil de terre du filtre EMI (vert). Raccordez les connecteurs du fil de terre ensemble.

4. Connectez le fil de sortie du filtre EMI (noir, VERS LE MOTEUR SOUS TENSION) au fil d'alimentation sous tension du moteur (noir, VERS LE MOTEUR SOUS TENSION).

5. Connectez le fil de sortie du filtre EMI (blanc, VERS LE MOTEUR NEUTRE) au fil d'entrée neutre du moteur (blanc, VERS LE MOTEUR NEUTRE).

6. Après avoir connecté les fils, écartez-les de manière à ce que les fils vert et blanc soient d'un côté du boîtier de sortie et que les fils noir et bleu se trouvent de l'autre côté.

7. Tournez les écrous de connexion vers le haut et poussez le câblage dans le boîtier de sortie.

FINITION DE L'INSTALLATION

INSTALLATION DU CACHE

- Desserrez les 2 vis (2) du support de montage. Schéma 8
- Desserrez les 2 vis (1) d'un demi-filetage du support de montage. Schéma 8
- Soulevez la plaque de suspension de l'assemblage du ventilateur sur le support de montage et laissez la fente en forme de L sur la plaque de suspension passer à travers les vis (1) du support de montage. Tournez la plaque de suspension jusqu'à ce qu'elle se verrouille en place à l'extrémité de la fente en forme de L et fixez-la en serrant les deux vis (2). Évitez d'endommager le câblage électrique préalablement préparé.
- Enfin, fixez le boîtier du moteur à la plaque de suspension et fixez-le en poussant les crochets (3) dans les trous de la fente et en le tournant dans le sens inverse des aiguilles d'une montre.

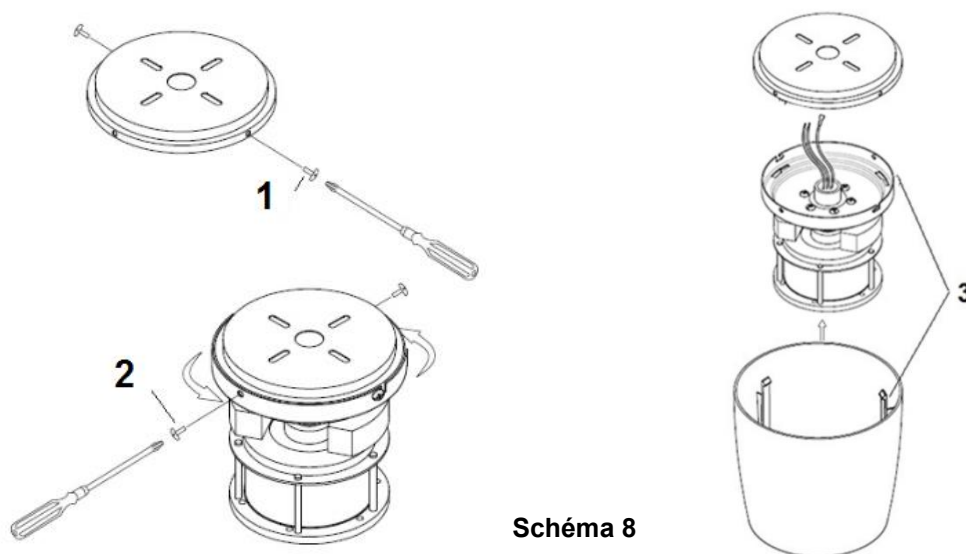
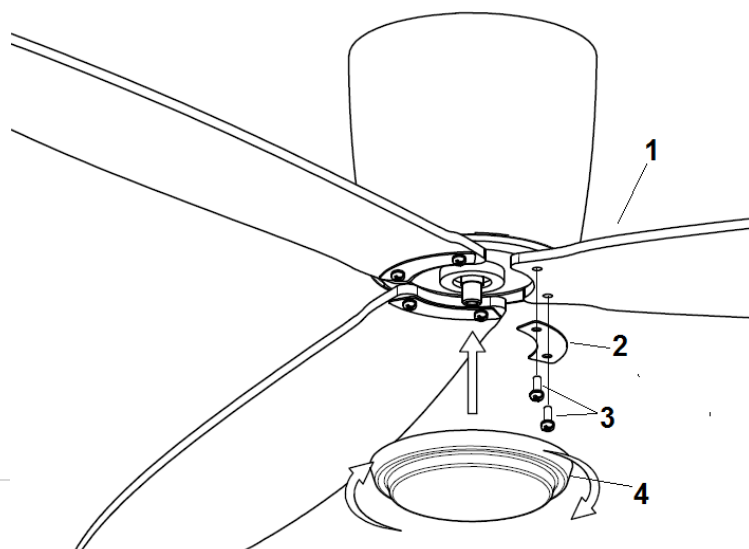


Schéma 8

INSTALLATION DES PALES

- Insérez les vis à travers l'assemblage des pales dans l'ordre suivant - kit de support (2) et pales (1). Fixez l'assemblage des pales au moteur et fixez chaque pale en serrant les 2 vis (3). Schéma 9
- Répétez la procédure pour installer les autres pales.
- Enfin, installez le cache inférieur (4) sur l'arbre du moteur en le tournant dans le sens des aiguilles d'une montre.

Sché
Schéma 9
ma 9

INSTALLATION DU KIT D'ÉCLAIRAGE (Kit d'éclairage vendu séparément)

Remarque : Le kit d'éclairage doit être installé par un électricien agréé.
 REMARQUE : Le kit d'éclairage est disponible pour certains modèles de ventilateurs de plafond et en tant que kit d'éclairage optionnel.

1. Retirez le cache inférieur de l'arbre (A) .
2. Retirez le tube rétractable (B) du connecteur des fils d'éclairage (C).
3. Pour l'installation du kit d'éclairage, veuillez vous reporter au guide d'utilisation d'installation du kit d'éclairage.

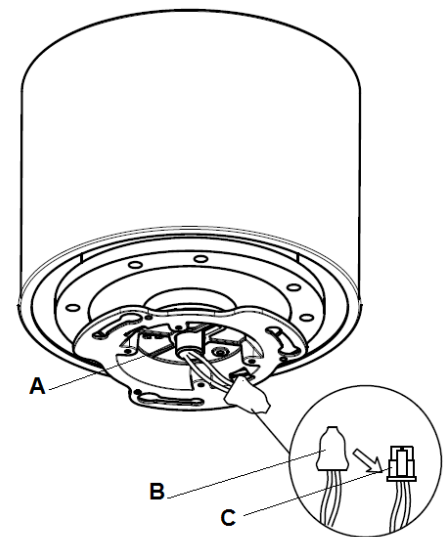


Schéma 10

UTILISATION DE VOTRE VENTILATEUR DE PLAFOND

Appariement de la télécommande et du récepteur - lorsque 2 ventilateurs de plafond CC ou plus sont installés au même endroit

Lorsque deux ventilateurs ou plus sont situés proches l'un de l'autre, vous pouvez souhaiter que le récepteur et la télécommande de chaque ventilateur soit réglé sur un code différent, de sorte que le fonctionnement d'un ventilateur n'affecte pas le fonctionnement des autres ventilateurs.

Les interrupteurs DIP de l'émetteur (télécommande) sont situés dans le compartiment à piles de la télécommande. La configuration des interrupteurs DIP permettra un code de transmission unique attribué à chaque plafond de ventilateur.

REMARQUE : Assurez-vous que vous avez installé un interrupteur de déconnexion unipolaire dans le câblage fixe de chaque ventilateur.

REMARQUE : Assurez - vous que le récepteur est sous tension avant d'apparier la télécommande avec le récepteur.

Appariement télécommande / récepteur pour le ventilateur de plafond 1 :

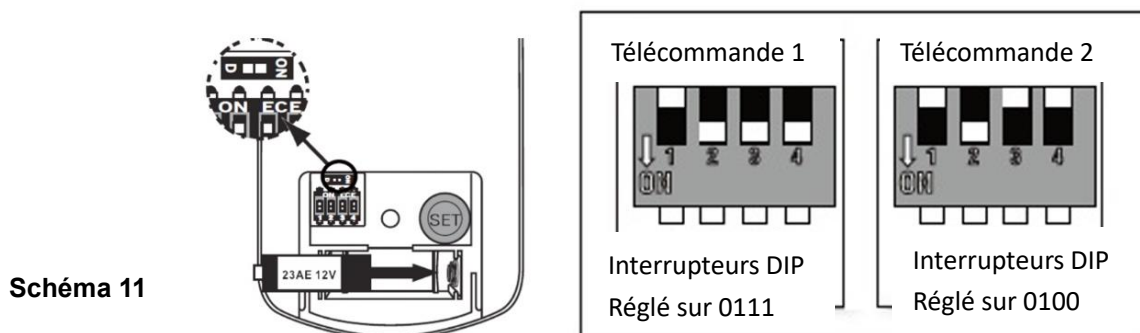
- Coupez l'alimentation secteur des récepteurs des deux ventilateurs de plafond 1 et 2.
- Installez la batterie 12V DC dans le compartiment. Veuillez vous assurer que le sens des polarités de la batterie est correct. **Schéma 11**
- Changez la position des interrupteurs DIP dans la télécommande 1, de sorte qu'elle soit différente de la télécommande 2.
- Mettez le récepteur 1 en marche. Gardez le récepteur 2 hors tension. (Chaque ventilateur de plafond doit avoir son propre interrupteur d'isolement, de sorte que seul le ventilateur de plafond qui doit être apparié avec la télécommande doit être en marche).

- Appuyez sur le bouton « SET » de la **télécommande 1** et maintenez-le enfoncé pendant 6 secondes dans les 60 secondes suivant la mise sous tension du récepteur du ventilateur de plafond 1. Pendant que l'appariement de la télécommande du ventilateur CC et du récepteur est en cours, le ventilateur commencera automatiquement à tourner dans le sens inverse des aiguilles d'une montre et au régime le plus élevé pendant 3 minutes. Lorsque la rotation dans le sens inverse des aiguilles d'une montre est terminée, le ventilateur s'inverse automatiquement dans le sens des aiguilles d'une montre au régime le plus élevé pendant 3 minutes. Le ventilateur s'éteint lorsque le processus d'appariement est terminé. Pendant le processus d'appariement, la télécommande n'est pas fonctionnelle.
- Mettez le ventilateur de plafond 1 en marche et changez la vitesse avec la télécommande 1 pour vérifier le fonctionnement si l'appariement a réussi.

Appariement télécommande / récepteur pour le ventilateur de plafond 2 :

- Coupez l'alimentation secteur des récepteurs des deux ventilateurs de plafond 1 et 2.
- Installez la batterie 12V DC dans le compartiment. Veuillez vous assurer que le sens des polarités de la batterie est correct. **Schéma 11**
- Changez la position des interrupteurs DIP dans la télécommande 2, de sorte qu'elle soit différente de la télécommande 1.
- Mettez le récepteur 2 en marche. Gardez le récepteur 1 hors tension. (Chaque ventilateur de plafond doit avoir son propre interrupteur d'isolement, de sorte que seul le ventilateur de plafond qui doit être apparié avec la télécommande doit être en marche).
- Appuyez sur le bouton « SET » de la **télécommande 2** et maintenez-le enfoncé pendant 6 secondes dans les 60 secondes suivant la mise sous tension du récepteur du ventilateur de plafond 2. Pendant que l'appariement de la télécommande du ventilateur CC et du récepteur est en cours, le ventilateur commencera automatiquement à tourner dans le sens inverse des aiguilles d'une montre et au régime le plus élevé pendant 3 minutes. Lorsque la rotation dans le sens inverse des aiguilles d'une montre est terminée, le ventilateur s'inverse automatiquement dans le sens des aiguilles d'une montre au régime le plus élevé pendant 3 minutes. Le ventilateur s'éteint lorsque le processus d'appariement est terminé. Pendant le processus d'appariement, la télécommande n'est pas fonctionnelle.
- Mettez le ventilateur de plafond 2 en marche et changez la vitesse avec la télécommande 2 pour vérifier le fonctionnement si l'appariement a réussi.

Remarque : L'appariement de la télécommande et du récepteur n'est pas nécessaire si un seul ventilateur de plafond est installé. Lorsque plus de deux ventilateurs de plafond sont installés à proximité l'un de l'autre, veuillez vous référer aux instructions ci-dessus.



Boutons de la télécommande

A - BOUTONS DE CONTRÔLE DE LA VITESSE DU VENTILATEUR :

Il y a 6 vitesses disponibles. Le bouton « I » correspond à la vitesse la plus faible et le bouton « VI » à la vitesse la plus rapide.

REMARQUE : lorsque vous mettez le ventilateur en marche pour la première fois ou que vous coupez l'alimentation principale du contrôleur, vous devez d'abord démarrer le ventilateur à haute vitesse « VI », puis choisir une vitesse inférieure. Un délai de 5 à 10 secondes est nécessaire pour permettre au ventilateur CC de répondre à la télécommande pour chaque sélection de vitesse ou de direction du ventilateur.

B - BOUTON D'ARRÊT DU VENTILATEUR :

Appuyez sur ce bouton pour éteindre le ventilateur.

C - BOUTON DE FONCTION INVERSE :

Appuyez sur ce bouton pour activer la fonction de marche arrière. Le ventilateur doit fonctionner pour activer la fonction d'inversion de direction.

D - BOUTON DE COMMANDE DE L'ÉCLAIRAGE : (Kit d'éclairage vendu séparément)

Appuyez sur ce bouton pour allumer ou éteindre la lumière.

Appuyez sur le bouton et maintenez-le enfoncé pour accéder à la fonction de variation de la lumière.

INTERRUPTEUR E - D / ON

Cet interrupteur marqué **D/ON** contrôle la fonction de variation des lumières.

Si vous utilisez des ampoules sans variation, utilisez un stylo à bille ou un petit tournevis pour régler l'interrupteur sur « D » pour désactiver la fonction de variation. Si vous utilisez des ampoules halogènes à intensité variable, réglez l'interrupteur sur « ON » pour activer la fonction de variation. **Schéma 13**

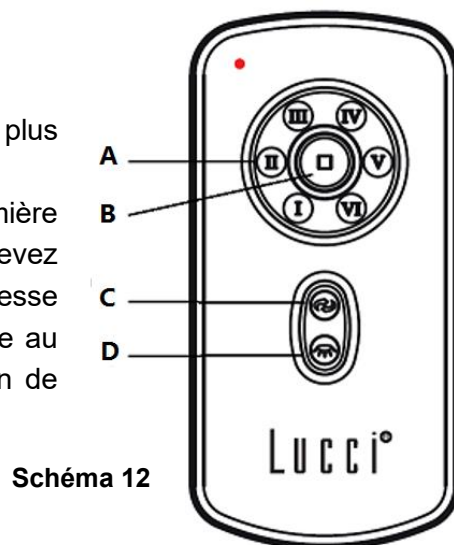


Schéma 12

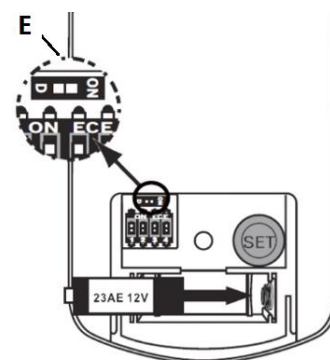


Schéma 13

LE RÉCEPTEUR FOURNIT LE NIVEAU DE PROTECTION SUIVANT :

- Position de verrouillage : le récepteur dispose d'une fonction de sécurité intégrée pour protéger le ventilateur contre toute obstruction pendant le fonctionnement. Le moteur sera verrouillé et se déconnectera de l'alimentation après 30 secondes d'interruption. Veuillez enlever les obstructions avant de le redémarrer. Pour le réinitialiser, éteignez simplement l'alimentation du moteur du ventilateur et redémarrez-le.
- Protection supérieure à 80 W : lorsque le récepteur détecte une consommation électrique supérieure à 80 W, l'alimentation du récepteur s'arrête et le fonctionnement s'arrête immédiatement. Mettez le récepteur sous tension après 5 secondes pour redémarrer le ventilateur.

RÉ-APPARIEMENT DU RÉCEPTEUR DU VENTILATEUR ET DE LA TÉLÉCOMMANDE

Si la télécommande et le récepteur perdent le contrôle après l'installation ou pendant l'utilisation, l'appariement de la télécommande et du récepteur doit être effectué de nouveau. Vous trouverez ci-dessous les symptômes de dysfonctionnement et la méthode pour ré-apparier la télécommande et le récepteur du ventilateur de plafond CC.

Problèmes :

Airfusion Radar Installation Instructions

- Perte de contrôle - Le ventilateur ne fonctionne qu'à grande vitesse après l'installation.
- Perte de contrôle - Pas de fonction inverse après l'installation.
- Perte de contrôle - La télécommande ne peut pas communiquer avec le récepteur.

Solutions :

- Coupez l'alimentation principale du ventilateur de plafond pendant 30 secondes.
- Appuyez sur le bouton « SET » de la **télécommande** et maintenez-le enfoncé pendant 6 secondes dans les 60 secondes suivant la mise sous tension du récepteur du ventilateur de plafond.
 Pendant que l'appariement de la télécommande du ventilateur CC et du récepteur est en cours, le ventilateur commencera automatiquement à tourner dans le sens inverse des aiguilles d'une montre et au régime le plus élevé pendant 3 minutes. Lorsque la rotation dans le sens inverse des aiguilles d'une montre est terminée, le ventilateur s'inverse automatiquement dans le sens des aiguilles d'une montre au régime le plus élevé pendant 3 minutes. Le ventilateur s'éteint lorsque le processus d'appariement est terminé. Pendant le processus d'appariement, la télécommande n'est pas fonctionnelle.
- Mettez le ventilateur de plafond en marche et changez la vitesse avec la télécommande pour vérifier le fonctionnement si l'appariement a réussi.

INSTALLATION DU SUPPORT DE LA TÉLÉCOMMANDE

Retirez le couvercle (A) du support (B). Installez le support (B) avec les deux vis fournies (C).

Remettez le couvercle (A) dans le support (B). **Schéma 14**

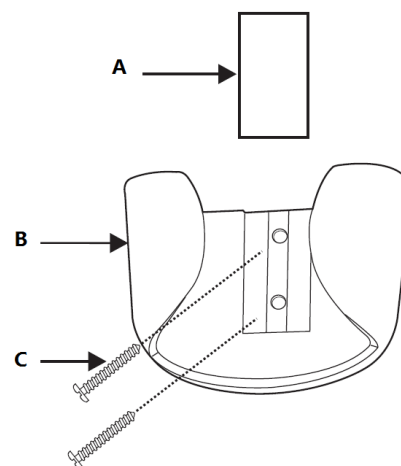


Schéma 14

APRÈS L'INSTALLATION

TREMBLEMENTS :

REMARQUE : les ventilateurs de plafond ont tendance à bouger en cours de fonctionnement car ils sont montés sur un œillet en caoutchouc. Si le ventilateur était monté de manière rigide au plafond, cela provoquerait des vibrations excessives. Un mouvement de quelques centimètres est tout à fait acceptable et ne suggère aucun problème.

POUR RÉDUIRE LES TREMBLEMENTS DU VENTILATEUR :

Veuillez vérifier que toutes les vis qui fixent le support de montage et la tige inférieure sont bien serrées.

REMARQUE : Ce ventilateur a été équilibré avec précision en usine et n'aura pas besoin d'être à nouveau équilibré.

BRUIT :

Lorsque l'environnement est calme (surtout la nuit), vous pouvez entendre de petits bruits occasionnels. De légères fluctuations de puissance et des signaux de fréquence superposés à l'électricité pour le contrôle de l'eau chaude en période creuse peuvent provoquer une modification du bruit du moteur du ventilateur. Ce

phénomène est normal. Veuillez prévoir une période d'installation de 24 heures, la plupart des bruits associés à un nouveau ventilateur disparaissent après cette période. Tous les moteurs électriques sont audibles dans une certaine mesure. Veuillez noter qu'il ne s'agit pas d'un défaut du produit et que, de ce fait, il n'est pas couvert par la garantie.

ENTRETIEN ET NETTOYAGE :

- Le nettoyage périodique de votre ventilateur de plafond est le seul entretien requis. Utilisez une brosse douce ou un chiffon non pelucheux pour éviter de rayer la peinture. Veuillez couper l'alimentation électrique lorsque vous procédez au nettoyage.
- N'immergez pas votre ventilateur de plafond dans l'eau. Cela pourrait endommager le moteur ou les pales et créer un risque de choc électrique.
- Assurez-vous que le raccord n'entre pas en contact avec des solvants organiques ou des produits de nettoyage.
- Pour nettoyer les pales du ventilateur, essayez-les uniquement avec un chiffon propre et humide, SANS solvants ni détergents organiques.
- Le moteur est doté d'un roulement à billes lubrifié en permanence, il n'est donc pas nécessaire de lubrifier.

REMARQUE : Coupez toujours le courant au niveau de l'interrupteur d'alimentation avant de nettoyer votre ventilateur.

INFORMATIONS TECHNIQUES

Taille du ventilateur	Vitesse	Volts (V)	Amps (A) (A)	Watts (W)	TR / MIN	CFM	CFM/W	Poids net (livres)	Poids brut (livres)	C.F.
52" CT	Extra-rapide	120	0,46	33,65 W	205	5327,70	158,32	10	12	1,29
	Moyennement rapide	120	0,22	15,08 W	150	3878,77	257,21	10	12	1,29
	Faible	120	0,06	3,08 W	50	1091,20	354,28	10	12	1,29

Ce sont des mesures approximatives. Elles ne comprennent pas les données pour les lampes ou les luminaires fixés au ventilateur de plafond.

GARANTIE

La garantie d'un an (1) couvre l'ensemble du ventilateur. Veuillez vous référer à la carte de garantie pour les détails.